



GasFinder3-MC Highlights



GasFinder3-MC shown with Open Path (OPX) Heads

Up to Four (4) Measurement Heads

Can be connected to one (1) GasFinder3-MC

Dual Gas Capability: Toxic + Combustible

Two (2) Lasers for two independent gas analyses

Hazardous Area Certified

(A)Ex nA IIC T5 Tamb <65°C (149°F) (Equiv. C1, Z2)

Up to 300 m (1,000 ft) Cable Lengths

For connecting to the Measurement Heads

Ease of Integration + Service

Power (24 VDC) + Communication Outputs

HART 7 via Analog, Relay Outputs, MODBUS, Etc.

HMI Touchscreen: Indication + Interface

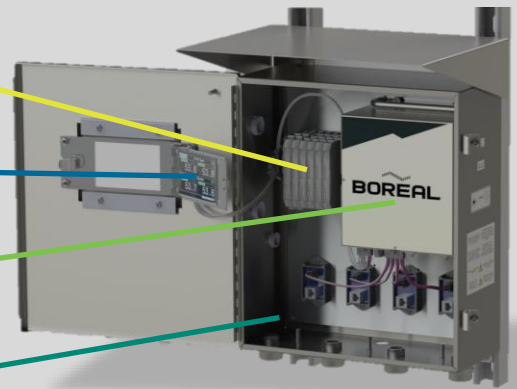
No app or laptop required for commissioning

Laser Analyzer Module

Designed for easy service, upgrade, or replacement

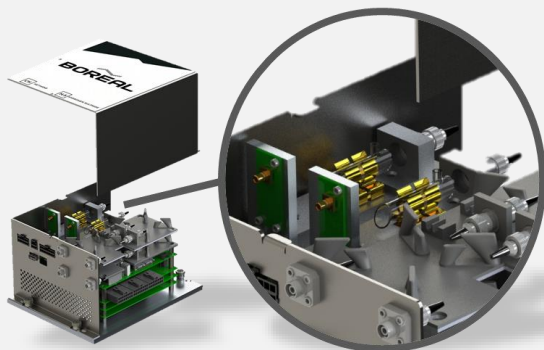
Rugged and Robust Design

Solid state electronics with no moving parts



Inside the GasFinder3-MC Enclosure

The Technician's Choice



Gas Reference Cells within the Laser Analyzer Module

Validation with Actual Target Gas

Internal Reference Cell interrogated once a minute

No Field Intervention or Calibration

Adjustments done autonomously & automatically

Practically No Measurement Drift

Operational Temp. Range: -55 to 65°C (-67 to 149°F)

Fail Safe Operation + SIL2 Suitable

Diagnostics with no undisclosed failure modes

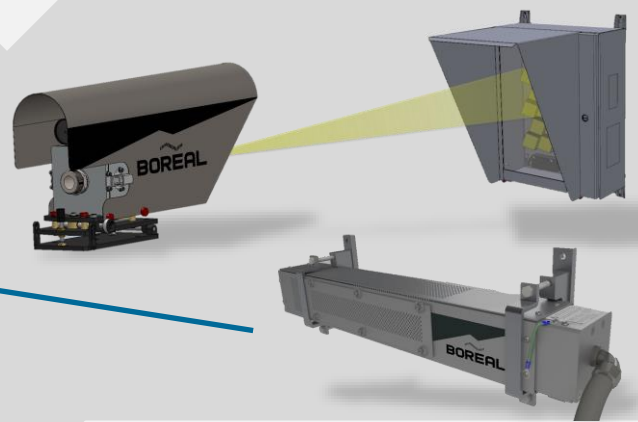
Leak Detection / Ambient Monitoring

Open Path (OPX) Head + Retro-Reflector

For Path Lengths from 5 – 500 m (15 – 1,500 ft) for Process Buildings, Process Areas and Perimeters.

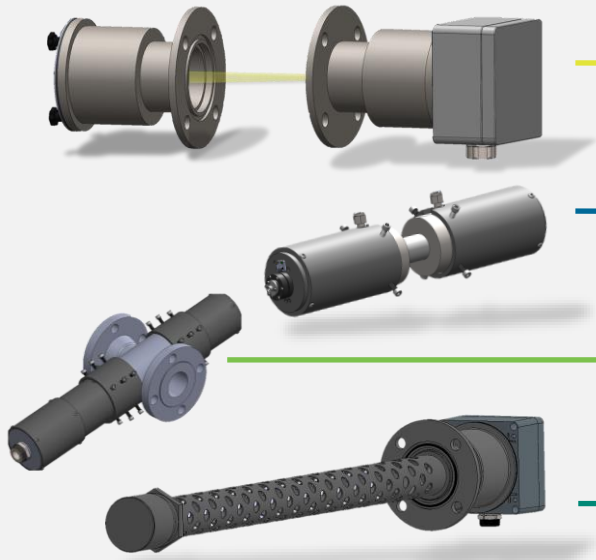
Remote Point (RPX) Probe

For fast localized detection of leaks around pumps, compressors, valves, (un)loading areas, etc.



Note: Different Measurement Head/Probe types may be combined

Laser Based - In-Situ Monitoring



Stack/Duct (SDX) Probe + Retro-Flange

3" 150# RF flange bolt-up for fast and accurate process monitoring and control measurements.

Extractive Measurement (EMX) Cell

Process Connections are 1/4" FNPT . 1" NPT Pipe length is adjustable to optimize detection range.

In-Line (ILX) Probe

Make direct and non-contact measurements of free gaseous molecules within process piping.

Insertable (IPX) Probe

Monitor gas composition or breakthroughs within vapor space of storage tanks and vessels.

Accuracy: +/- 2% of Reading. **Gas Temperature Range:** -55 to 150°C (-67 to 300°F). **Gas Pressure Range:** 50 to 200 KPaA (7.25 to 29 PSiA).

Select any Two (2) Target Gases

Note 1: Other temperature and detection ranges may be available
Note 2: Detection ranges shown below are at ambient temperatures

HF

Hydrogen Fluoride

HFL: 0.4 - 250 ppm-m
 HFH: 1 - 1,000 ppm-m

H₂S

Hydrogen Sulfide

H2SL: 100 - 100,000 ppm-m
 H2SH: 1,000 - 500,000 ppm-m

CH₄

Methane

CH4L: 2 - 8,500 ppm-m
 CH4H: 100 ppm-m - 10 LEL-m

CO₂

Carbon Dioxide

CO2L: 120 - 80,000 ppm-m
 CO2H: 1,000 - 500,000 ppm-m

CO

Carbon Monoxide

COL: 8 - 8,500 ppm-m
 COH: 250 - 500,000 ppm-m

NH₃

Ammonia

NH3L/H: 8 - 6,500/15,000 ppm-m
 NH3UH: 0.4 - 100%-m

HCN

Hydrogen Cyanide

HCN: 8 - 2,500 ppm-m

HCl

Hydrogen Chloride

HCl: 2 - 2,500 ppm-m

C₂H₄

Ethylene

C2H4: 20 - 15,000 ppm-m

C₂H₂

Acetylene

C2H2: 4 - 2,500 ppm-m

O₂

Oxygen

O2: 1,000 - 1,000,000 ppm-m

H₂O

Water Vapor

Various Ranges Available

Ask your Local Distributor for

Rev. Jan. 10th 202

LIVE VIDEO DEMO

GENERAL ARRANGEMENT

DATA SHEETS

DETAILED INSTRUCTIONS