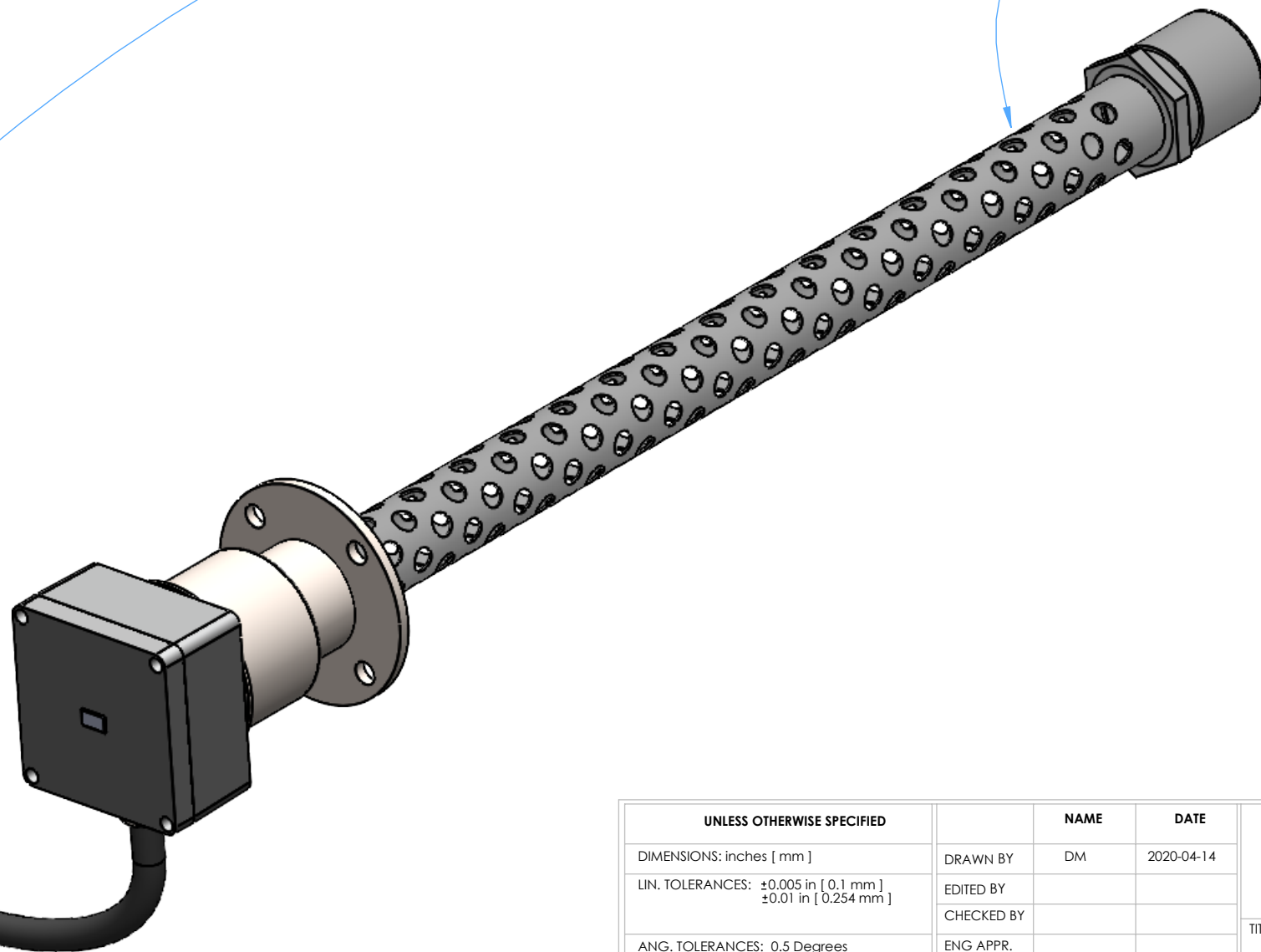
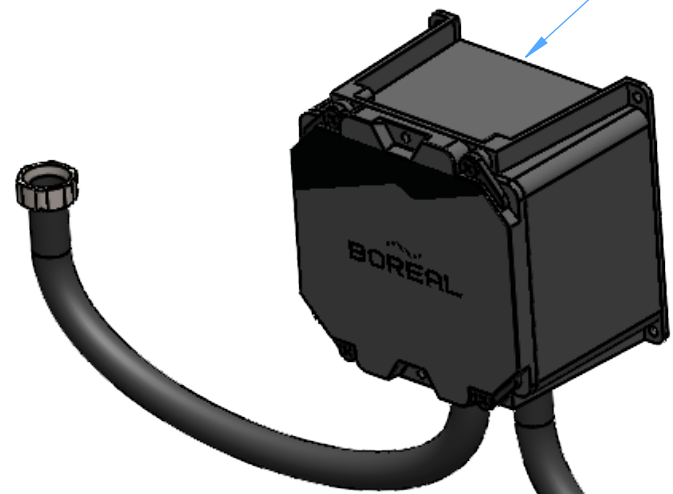


GasFinder3-MC Assembly
Analyzer, Controller, or CCU
Part#: BL-GF3-MC-_-_-_-_-

Cable Kit Options
Part of Stack/Duct (SDX) Probe Assembly
Part#: BL-L1-_-_-_-

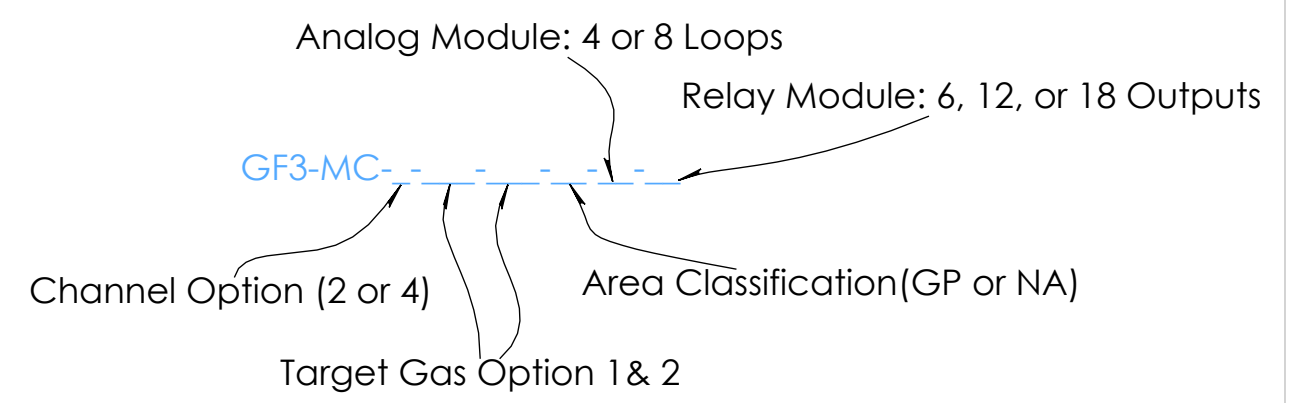
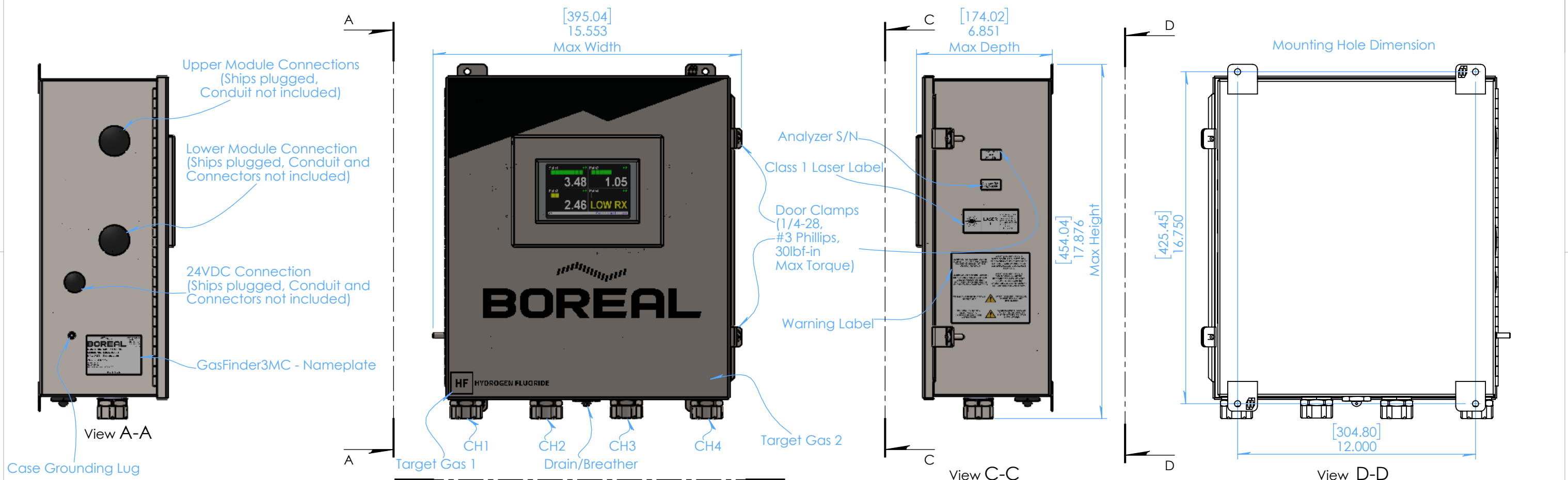
Insertable Retro
Part of Insertable Probe (IPX) Assembly



UNLESS OTHERWISE SPECIFIED		NAME	DATE	 12846-146 Street Edmonton, Alberta, Canada T5L 2H7 Ph: 780-488-5173 Fax: 780-488-0780 Web: www.boreal-laser.com	
DIMENSIONS: inches [mm]		DRAWN BY	DM		2020-04-14
LIN. TOLERANCES: ±0.005 in [0.1 mm] ±0.01 in [0.254 mm]		EDITED BY			
ANG. TOLERANCES: 0.5 Degrees		CHECKED BY			
MATERIAL		ENG APPR.			
FINISH		MFG APPR.			
DO NOT SCALE DRAWING		COMMENTS: This is an uncontrolled document. The dimensions in these drawings are suggested and may change without notice. Please refer to technical documentation for installation dimensions.		TITLE: GasFinder3-MC Overview PART # N/A DWG. # GF3MC_IPX REV: - DATE: SHEET 1 OF 5	

PROPRIETARY AND CONFIDENTIAL
 THE INFORMATION CONTAINED IN THIS DRAWING IS THE SOLE PROPERTY OF BOREAL LASER INC. ANY REPRODUCTION IN PART OR AS A WHOLE WITHOUT THE WRITTEN PERMISSION OF BOREAL LASER INC IS PROHIBITED.

UTILIZATION			
QUANTITY	DESCRIPTION	DRAWING #	AREA

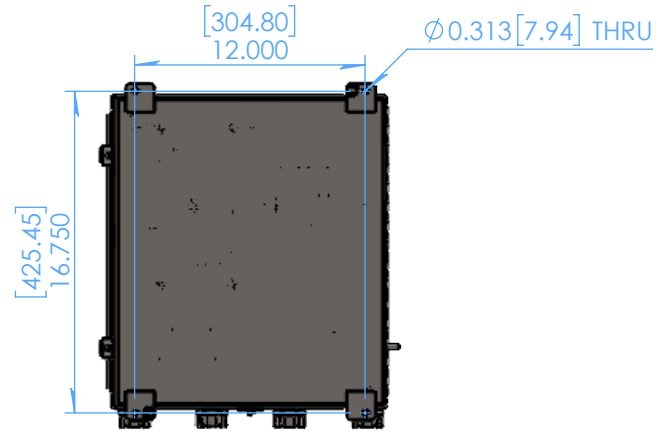


PROPRIETARY AND CONFIDENTIAL
 THE INFORMATION CONTAINED IN THIS DRAWING IS THE SOLE PROPERTY OF BOREAL LASER INC. ANY REPRODUCTION IN PART OR AS A WHOLE WITHOUT THE WRITTEN PERMISSION OF BOREAL LASER INC IS PROHIBITED.

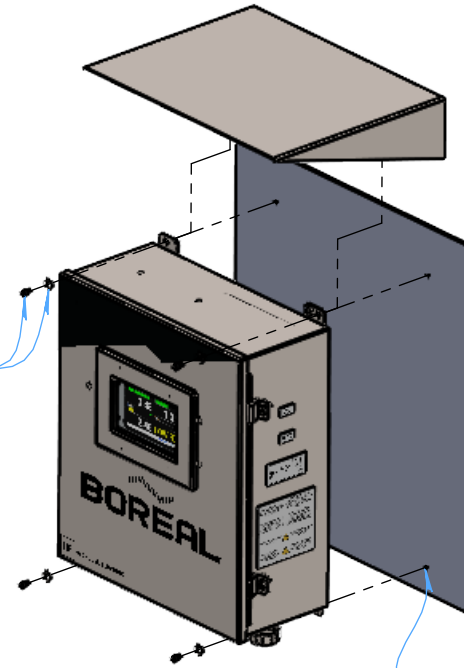
QUANTITY		DESCRIPTION		DRAWING #	AREA

UNLESS OTHERWISE SPECIFIED	NAME	DATE
DIMENSIONS: inches [mm]	DRAWN BY	DM 2020-04-14
LIN. TOLERANCES: ±0.005 in [0.1 mm] ±0.01 in [0.254 mm]	EDITED BY	
ANG. TOLERANCES: 0.5 Degrees	CHECKED BY	
MATERIAL	ENG APPR.	
FINISH	MFG APPR.	
DO NOT SCALE DRAWING	COMMENTS: This is an uncontrolled document. The dimensions in these drawings are suggested and may change without notice. Please refer to technical documentation for installation dimensions.	

 12846-146 Street Edmonton, Alberta, Canada T5L 2H7 Ph: 780-488-5173 Fax: 780-488-0780 Web: www.boreal-laser.com		TITLE:	GF3MC General Dimension
		PART #	N/A
DWG. #	GF3MC_IPX	REV: -	DATE:
		SHEET 2 OF 5	

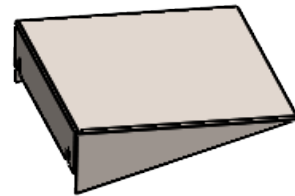
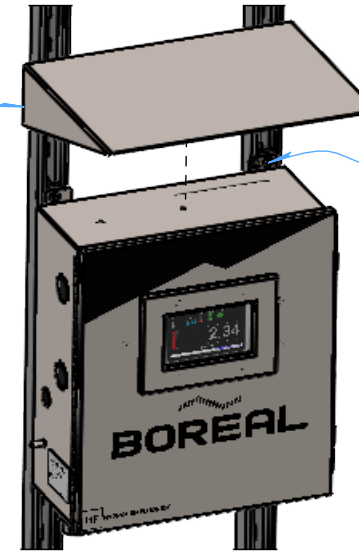


Choose appropriate hardware to securely install enclosure.
[Suggested - #10 screw with #10 lock washer, and #10 Flat washer]



It may be easiest to mount GF3MC unit before installing sunshield

Tighten top nuts/screws after sunshiled installation



Prepare surface for load bearing capacity of at least 20kg [44 lbs] This may include having to install support into target structure or cutting threads into the structure.

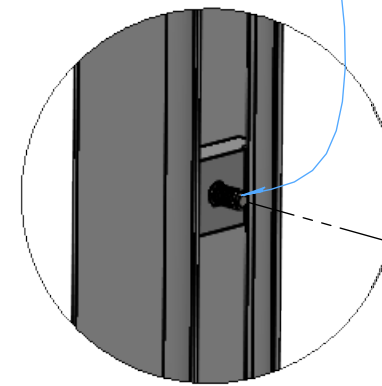
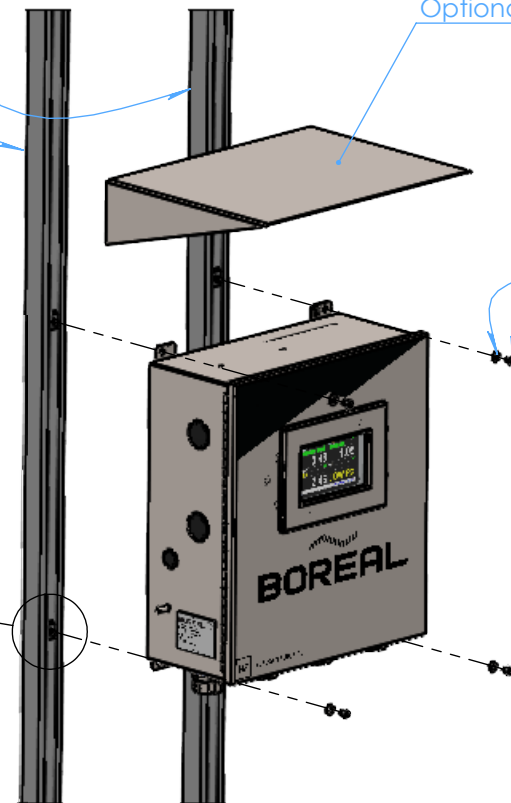
Unitstrut

Optional Sunshield

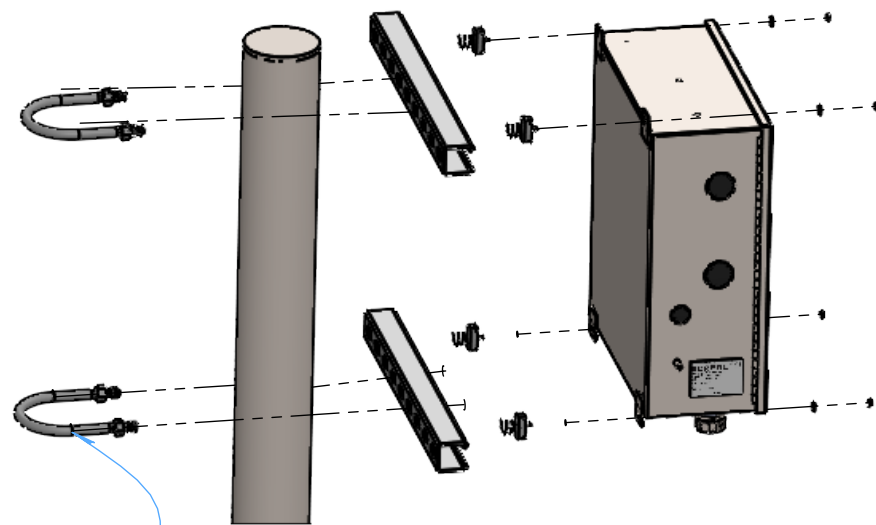
#10 Flat Washer

10-24 Nylok Nut

10-24 Unistrut Stud



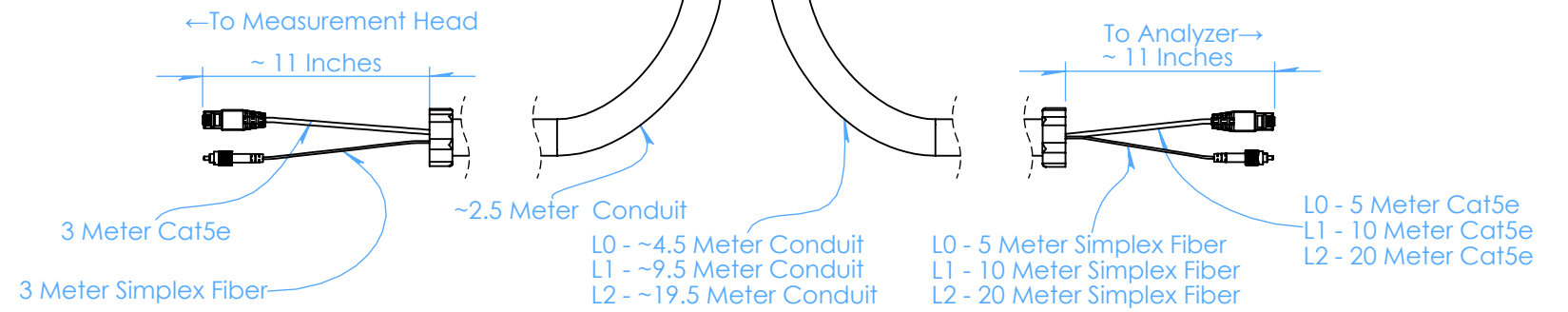
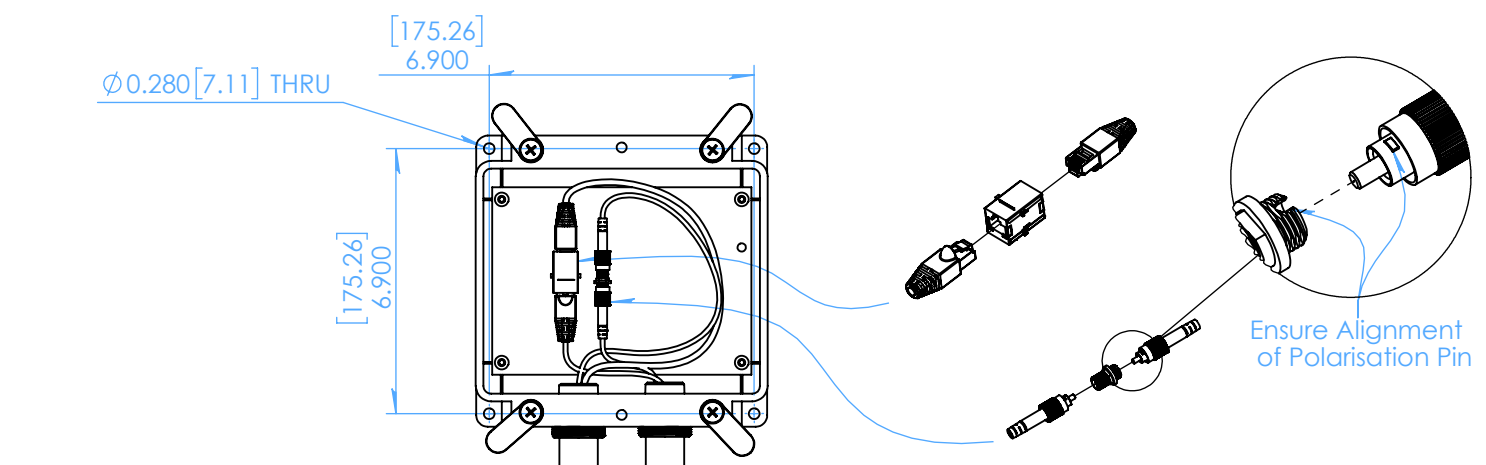
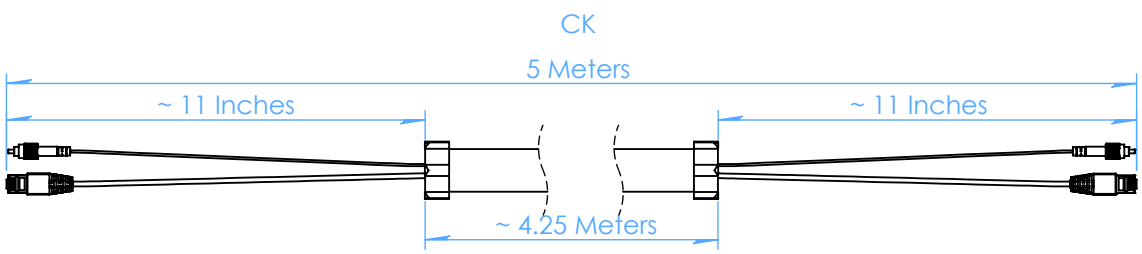
DETAIL A
SCALE 1 : 2



U-Bolt Suitable for Pole Size
(4" Pole in example)

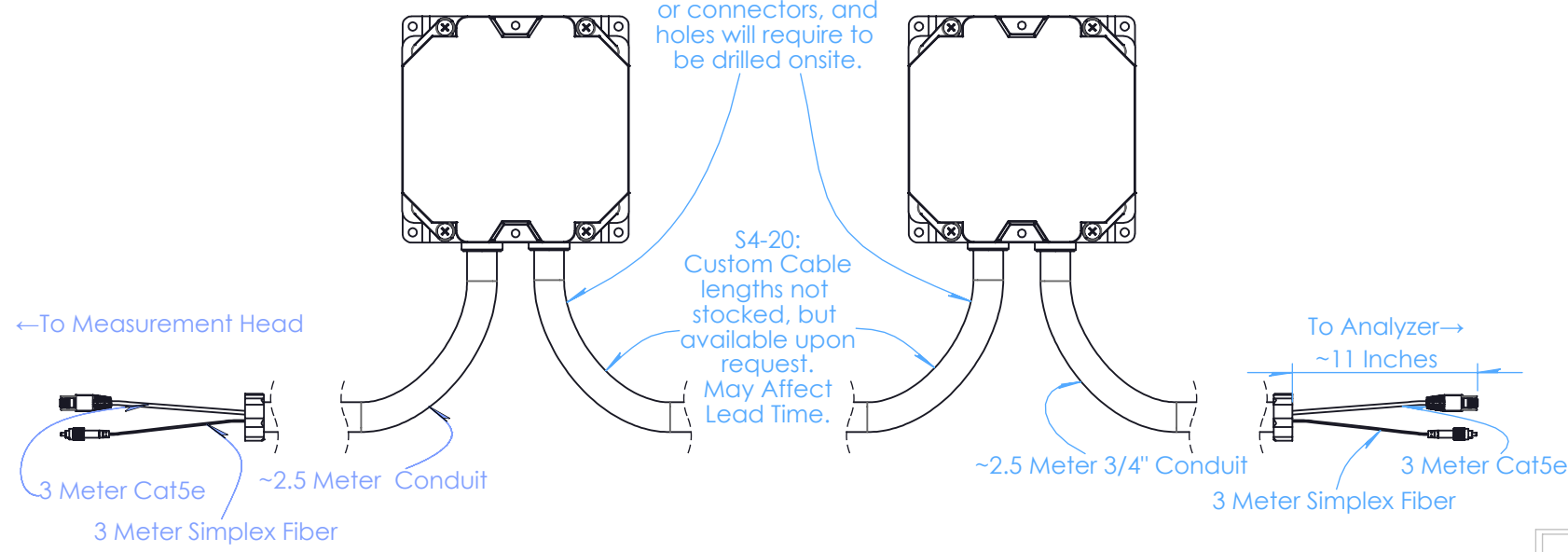
UNLESS OTHERWISE SPECIFIED		NAME	DATE	 BOREAL 12846-146 Street Edmonton, Alberta, Canada T5L 2H7 Ph: 780-488-5173 Fax: 780-488-0780 Web: www.boreal-laser.com	
DIMENSIONS: inches [mm]		DRAWN BY	DM		2020-04-14
LIN. TOLERANCES: ±0.005 in [0.1 mm] ±0.01 in [0.254 mm]		EDITED BY			
ANG. TOLERANCES: 0.5 Degrees		CHECKED BY			
MATERIAL		ENG APPR.			
FINISH		MFG APPR.			
DO NOT SCALE DRAWING		COMMENTS: This is an uncontrolled document. The dimensions in these drawings are suggested and may change without notice. Please refer to technical documentation for installation dimensions.		TITLE: GF3MC - Mounting Suggestions PART # N/A DWG. # GF3MC_IPX REV: - DATE: SHEET 3 OF 5	

PROPRIETARY AND CONFIDENTIAL		UTILIZATION	
THE INFORMATION CONTAINED IN THIS DRAWING IS THE SOLE PROPERTY OF BOREAL LASER INC. ANY REPRODUCTION IN PART OR AS A WHOLE WITHOUT THE WRITTEN PERMISSION OF BOREAL LASER INC IS PROHIBITED.			
QUANTITY	DESCRIPTION	DRAWING #	AREA



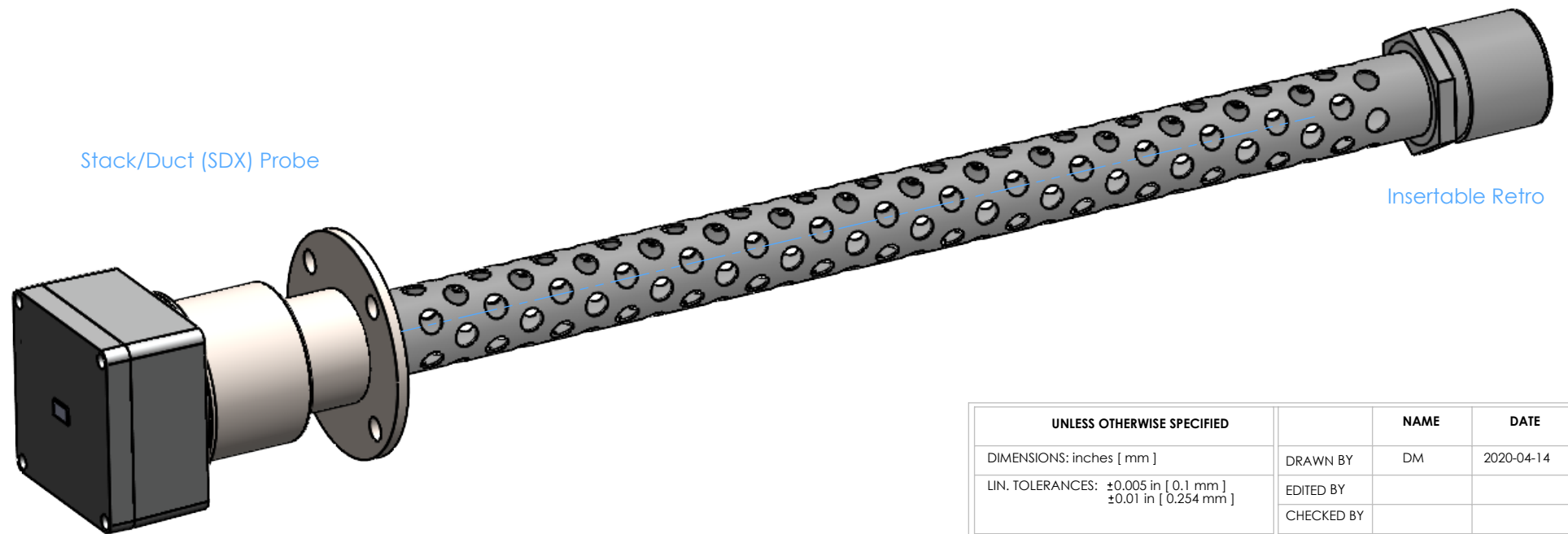
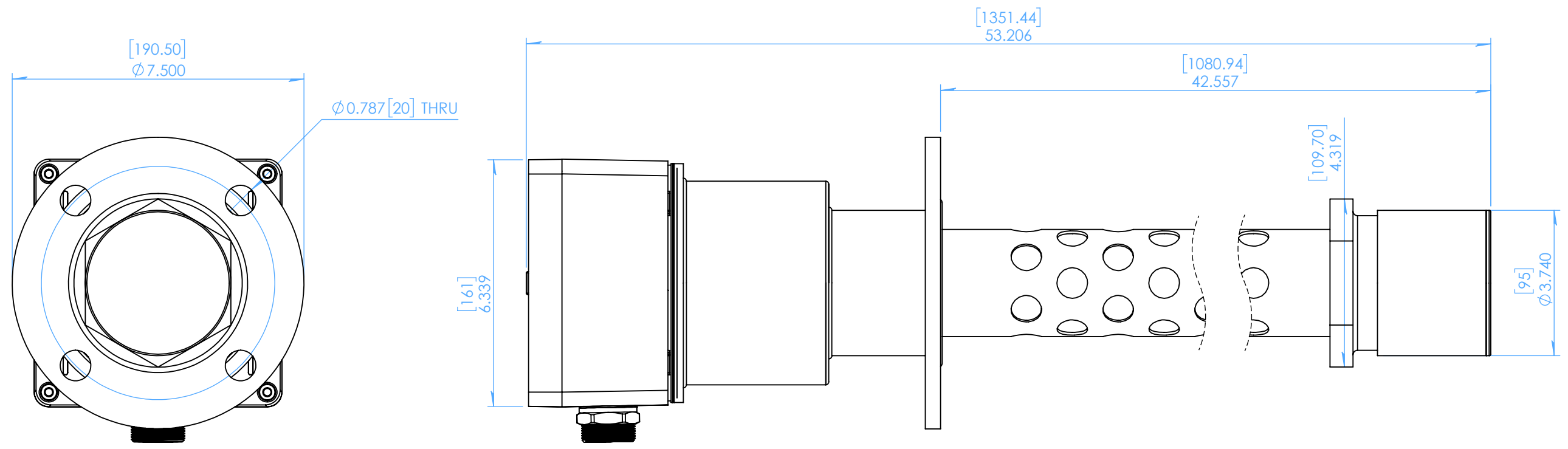
A3-20:
All Armoured lengths are not stocked, but available upon request. May affect lead time. Does not include or connectors, and holes will require to be drilled onsite.

S4-20:
Custom Cable lengths not stocked, but available upon request. May Affect Lead Time.



UNLESS OTHERWISE SPECIFIED		NAME	DATE	 12846-146 Street Edmonton, Alberta, Canada T5L 2H7 Ph: 780-488-5173 Fax: 780-488-0780 Web: www.boreal-laser.com	
DIMENSIONS: inches [mm]		DRAWN BY	DM		2020-04-14
LIN. TOLERANCES: ±0.005 in [0.1 mm] ±0.01 in [0.254 mm]		EDITED BY			
ANG. TOLERANCES: 0.5 Degrees		CHECKED BY			
MATERIAL		ENG APPR.			
FINISH		MFG APPR.			
DO NOT SCALE DRAWING		COMMENTS: This is an uncontrolled document. The dimensions in these drawings are suggested and may change without notice. Please refer to technical documentation for installation dimensions.		TITLE: GF3MC - Cable Options PART # N/A DWG. # GF3MC_IPX REV: - DATE:	
PROPRIETARY AND CONFIDENTIAL THE INFORMATION CONTAINED IN THIS DRAWING IS THE SOLE PROPERTY OF BOREAL LASER INC. ANY REPRODUCTION IN PART OR AS A WHOLE WITHOUT THE WRITTEN PERMISSION OF BOREAL LASER INC IS PROHIBITED.				SHEET 4 OF 5	

UTILIZATION			
QUANTITY	DESCRIPTION	DRAWING #	AREA



UNLESS OTHERWISE SPECIFIED		NAME	DATE
DIMENSIONS: inches [mm]		DRAWN BY	DM 2020-04-14
LIN. TOLERANCES: ±0.005 in [0.1 mm] ±0.01 in [0.254 mm]		EDITED BY	
ANG. TOLERANCES: 0.5 Degrees		CHECKED BY	
MATERIAL		ENG APPR.	
FINISH		MFG APPR.	
DO NOT SCALE DRAWING		COMMENTS: This is an uncontrolled document. The dimensions in these drawings are suggested and may change without notice. Please refer to technical documentation for installation dimensions.	

BOREAL 12846-146 Street Edmonton, Alberta, Canada T5L 2H7 Ph: 780-488-5173 Fax: 780-488-0780 Web: www.boreal-laser.com	
TITLE: High Temperature Stack/Duct Probe	
PART # N/A	
DWG. # GF3MC_IPX	REV: -
DATE:	
SHEET 5 OF 5	

PROPRIETARY AND CONFIDENTIAL			
THE INFORMATION CONTAINED IN THIS DRAWING IS THE SOLE PROPERTY OF BOREAL LASER INC. ANY REPRODUCTION IN PART OR AS A WHOLE WITHOUT THE WRITTEN PERMISSION OF BOREAL LASER INC IS PROHIBITED.			
UTILIZATION			
QUANTITY	DESCRIPTION	DRAWING #	AREA