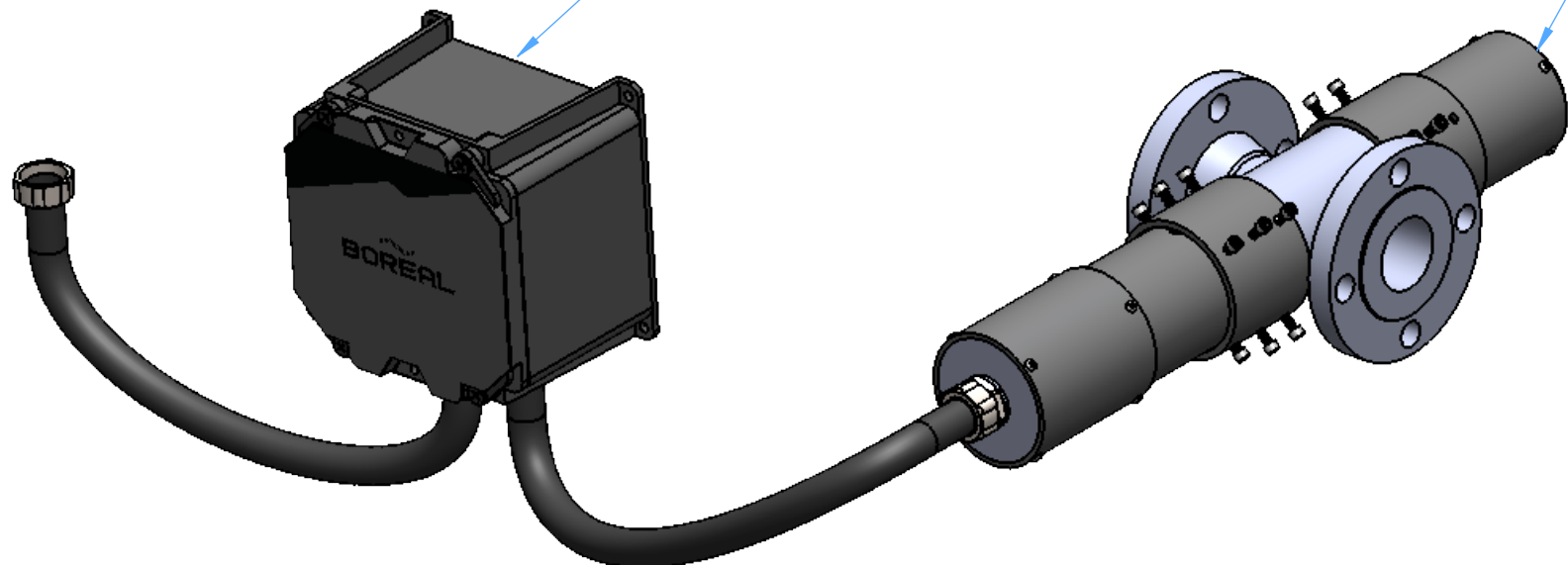


GasFinder3-MC Assembly
Analyzer, Controller, or CCU
Part#: BL-GF3-MC-_-_-_-_-

Cable Kit Options
Part of In-Line Probe Assembly
Part#: BL-L1-_-_-_-

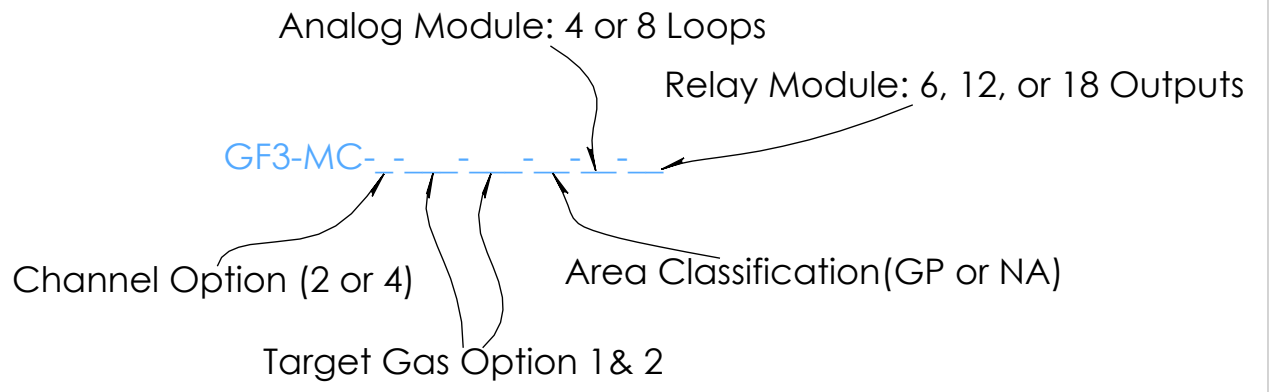
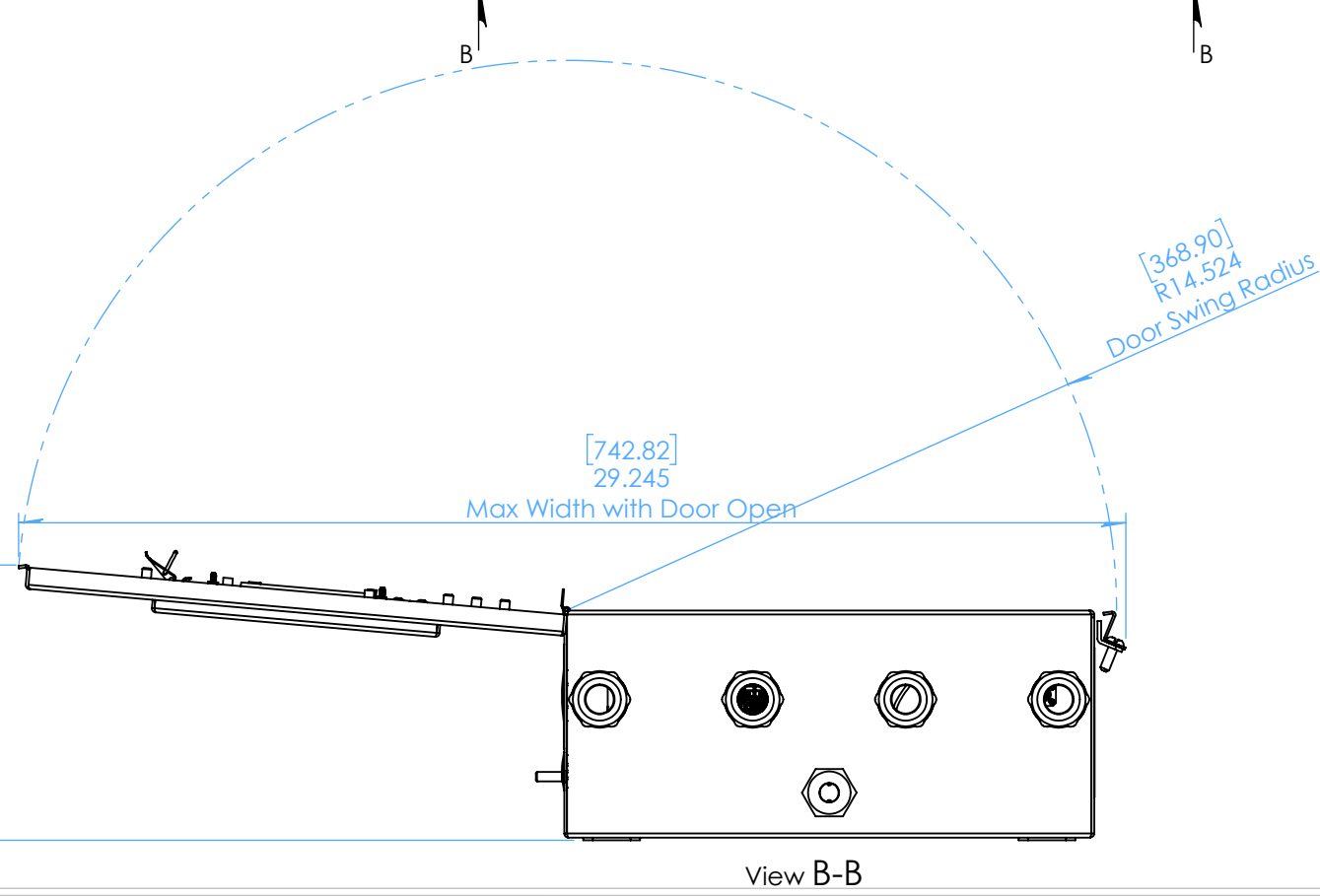
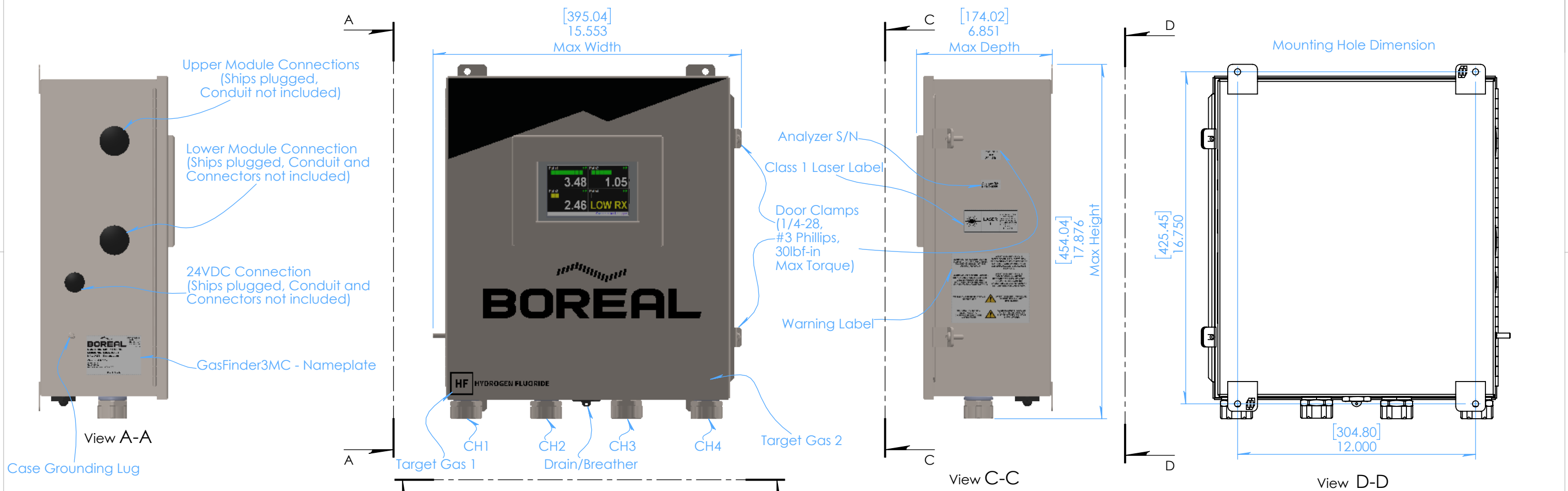
Part of In-Line Probe Assembly
BL-_-_-ILX



UNLESS OTHERWISE SPECIFIED		NAME	DATE	 12846-146 Street Edmonton, Alberta, Canada T5L 2H7 Ph: 780-488-5173 Fax: 780-488-0780 Web: www.boreal-laser.com	
DIMENSIONS: inches [mm]		DRAWN BY	DM		2020-04-14
LIN. TOLERANCES: ±0.005 in [0.1 mm] ±0.01 in [0.254 mm]		EDITED BY			
ANG. TOLERANCES: 0.5 Degrees		CHECKED BY			
MATERIAL		ENG APPR.			
FINISH		MFG APPR.			
DO NOT SCALE DRAWING		COMMENTS: This is an uncontrolled document. The dimensions in these drawings are suggested and may change without notice. Please refer to technical documentation for installation dimensions.		TITLE: GasFinder3-MC Overview PART # N/A DWG. # GF3MC_ILX REV: - DATE: SHEET 1 OF 5	

PROPRIETARY AND CONFIDENTIAL
THE INFORMATION CONTAINED IN THIS DRAWING IS THE SOLE PROPERTY OF BOREAL LASER INC. ANY REPRODUCTION IN PART OR AS A WHOLE WITHOUT THE WRITTEN PERMISSION OF BOREAL LASER INC IS PROHIBITED.

UTILIZATION			
QUANTITY	DESCRIPTION	DRAWING #	AREA



PROPRIETARY AND CONFIDENTIAL
 THE INFORMATION CONTAINED IN THIS DRAWING IS THE SOLE PROPERTY OF BOREAL LASER INC. ANY REPRODUCTION IN PART OR AS A WHOLE WITHOUT THE WRITTEN PERMISSION OF BOREAL LASER INC IS PROHIBITED.

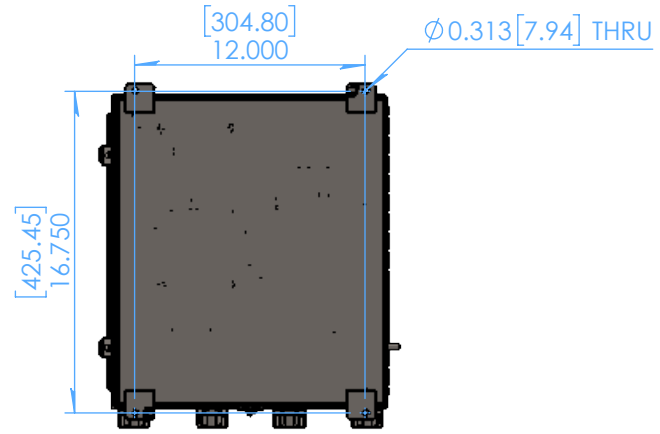
QUANTITY		DESCRIPTION	DRAWING #	AREA

UNLESS OTHERWISE SPECIFIED	NAME	DATE
DIMENSIONS: inches [mm]	DRAWN BY DM	2020-04-14
LIN. TOLERANCES: ±0.005 in [0.1 mm] ±0.01 in [0.254 mm]	EDITED BY	
ANG. TOLERANCES: 0.5 Degrees	CHECKED BY	
MATERIAL	ENG APPR.	
FINISH	MFG APPR.	
DO NOT SCALE DRAWING	COMMENTS: This is an uncontrolled document. The dimensions in these drawings are suggested and may change without notice. Please refer to technical documentation for installation dimensions.	

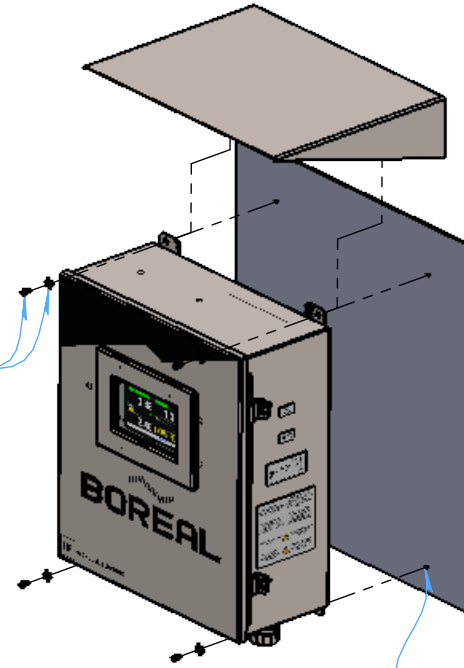
TITLE
GF3MC General Dimension
PART # N/A
DWG. # GF3MC_ILX
REV: -
DATE:

BOREAL
 12846-146 Street
 Edmonton, Alberta, Canada T5L 2H7
 Ph: 780-488-5173
 Fax: 780-488-0780
 Web: www.boreal-laser.com

SHEET 2 OF 5

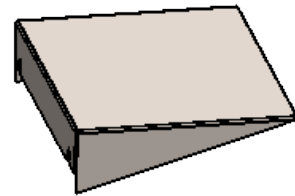
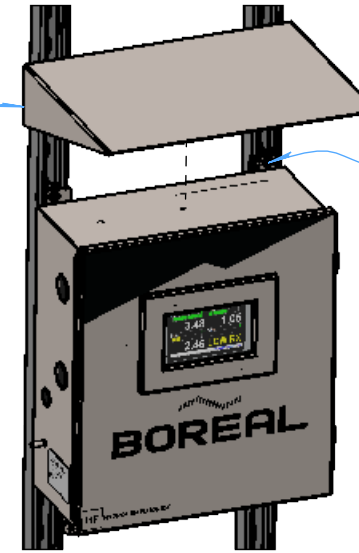


Choose appropriate hardware to securely install enclosure.
[Suggested - #10 screw with #10 lock washer, and #10 Flat washer]



It may be easiest to mount GF3MC unit before installing sunshield

Tighten top nuts/screws after sunshiled installation



Prepare surface for load bearing capacity of at least 20kg [44 lbs] This may include having to install support into target structure or cutting threads into the structure.

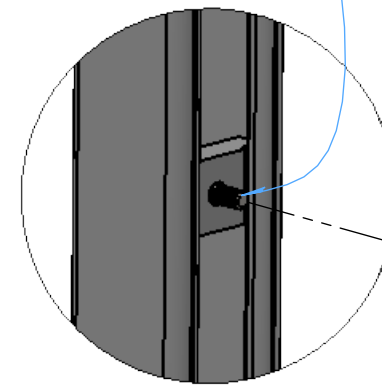
Unitstrut

Optional Sunshield

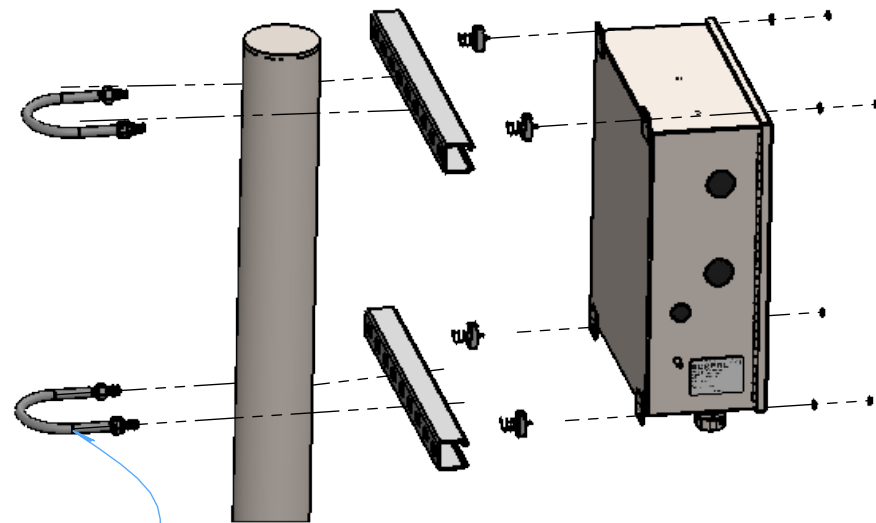
#10 Flat Washer

10-24 Nylok Nut

10-24 Unistrut Stud



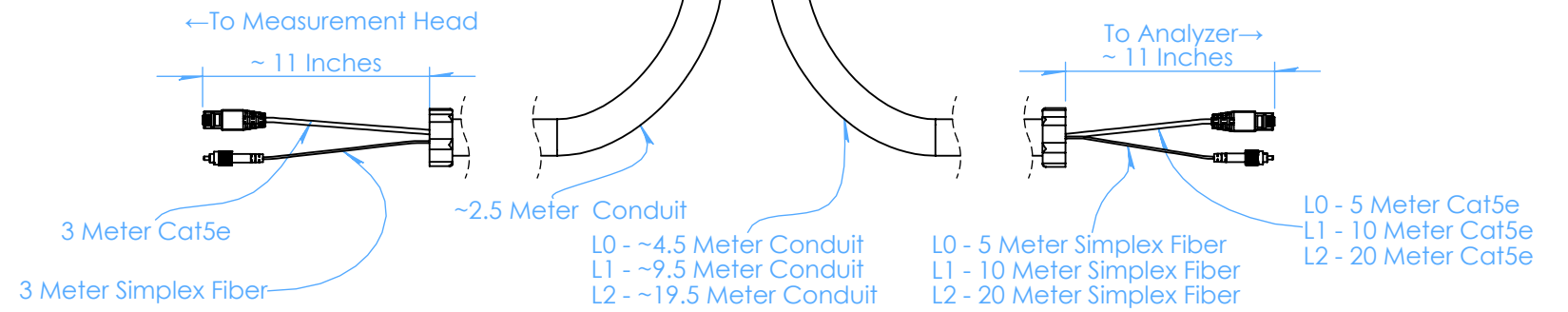
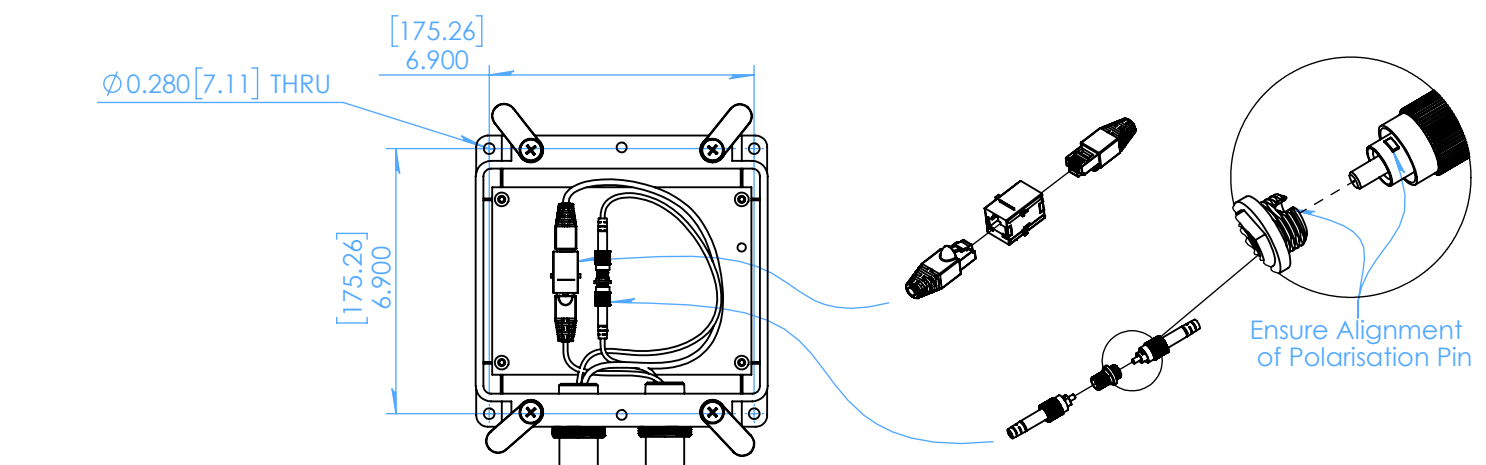
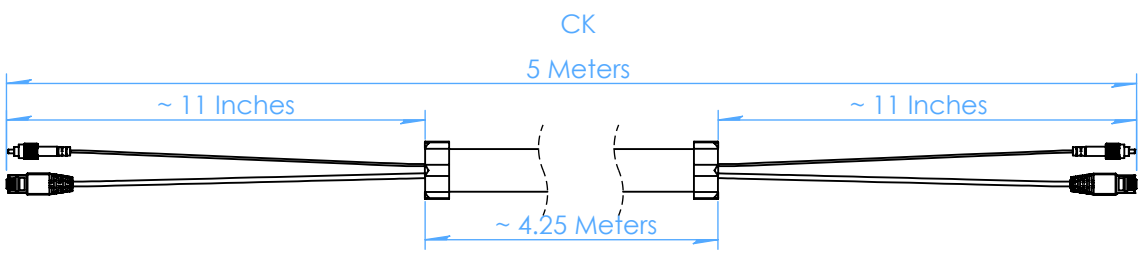
DETAIL A
SCALE 1 : 2



U-Bolt Suitable for Pole Size
(4" Pole in example)

UNLESS OTHERWISE SPECIFIED		NAME	DATE	 BOREAL 12846-146 Street Edmonton, Alberta, Canada T5L 2H7 Ph: 780-488-5173 Fax: 780-488-0780 Web: www.boreal-laser.com
DIMENSIONS: inches [mm]		DRAWN BY	DM	
LIN. TOLERANCES: ±0.005 in [0.1 mm] ±0.01 in [0.254 mm]		EDITED BY		
ANG. TOLERANCES: 0.5 Degrees		CHECKED BY		
MATERIAL		ENG APPR.		
FINISH		MFG APPR.		
DO NOT SCALE DRAWING		COMMENTS: This is an uncontrolled document. The dimensions in these drawings are suggested and may change without notice. Please refer to technical documentation for installation dimensions.		TITLE: GF3MC - Mounting Suggestions PART # N/A DWG. # GF3MC_ILX REV: - DATE: SHEET 3 OF 5

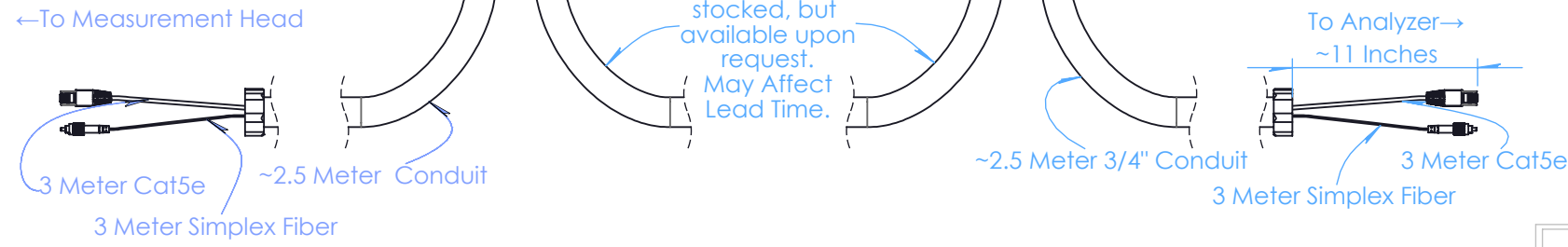
PROPRIETARY AND CONFIDENTIAL		UTILIZATION		
THE INFORMATION CONTAINED IN THIS DRAWING IS THE SOLE PROPERTY OF BOREAL LASER INC. ANY REPRODUCTION IN PART OR AS A WHOLE WITHOUT THE WRITTEN PERMISSION OF BOREAL LASER INC IS PROHIBITED.				
QUANTITY	DESCRIPTION	DRAWING #	AREA	



Measurement Head Junction Box

A3-20:
All Armoured lengths are not stocked, but available upon request. May affect lead time. Does not include or connectors, and holes will require to be drilled onsite.

S4-20:
Custom Cable lengths not stocked, but available upon request. May Affect Lead Time.



UNLESS OTHERWISE SPECIFIED		NAME	DATE
DIMENSIONS: inches [mm]		DRAWN BY	DM 2020-04-14
LIN. TOLERANCES: ±0.005 in [0.1 mm] ±0.01 in [0.254 mm]		EDITED BY	
ANG. TOLERANCES: 0.5 Degrees		CHECKED BY	
MATERIAL		ENG APPR.	
FINISH		MFG APPR.	
DO NOT SCALE DRAWING		COMMENTS: This is an uncontrolled document. The dimensions in these drawings are suggested and may change without notice. Please refer to technical documentation for installation dimensions.	

BOREAL
12846-146 Street
Edmonton, Alberta, Canada
T5L 2H7
Ph: 780-488-5173
Fax: 780-488-0780
Web: www.boreal-laser.com

TITLE: **GF3MC - Cable Options**

PART # N/A

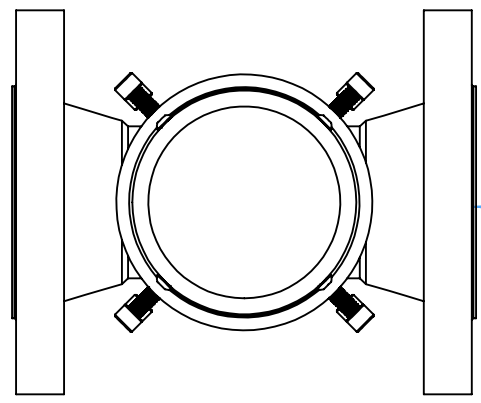
DWG. # GF3MC_ILX

REV: -
DATE:

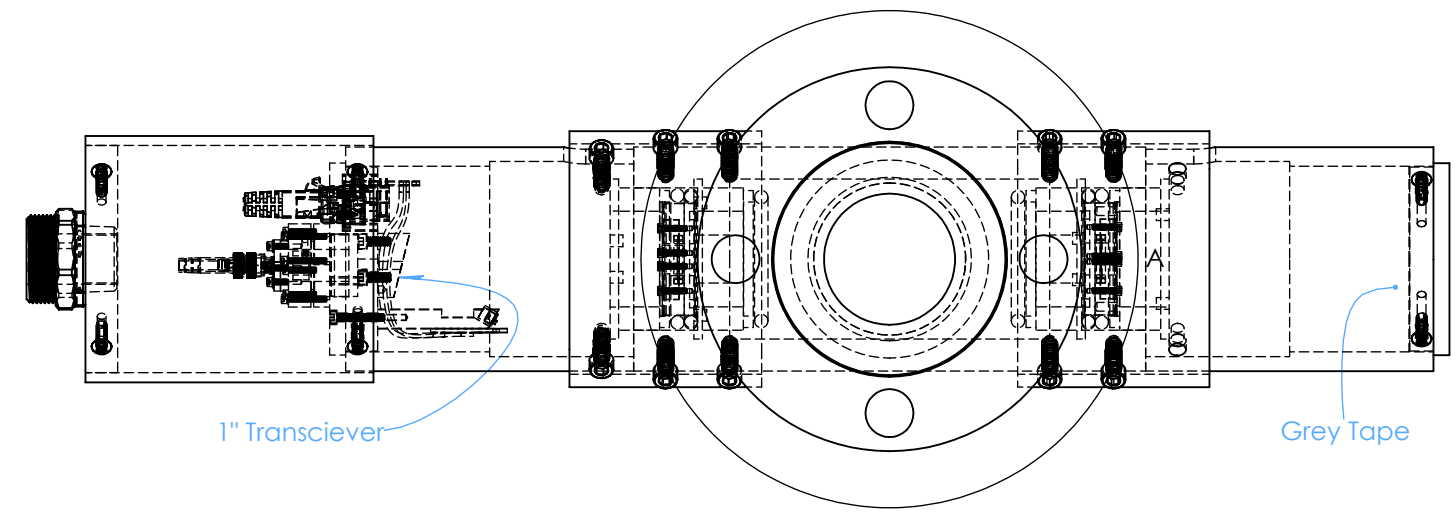
SHEET 4 OF 5

PROPRIETARY AND CONFIDENTIAL
THE INFORMATION CONTAINED IN THIS DRAWING IS THE SOLE PROPERTY OF BOREAL LASER INC. ANY REPRODUCTION IN PART OR AS A WHOLE WITHOUT THE WRITTEN PERMISSION OF BOREAL LASER INC IS PROHIBITED.

UTILIZATION			
QUANTITY	DESCRIPTION	DRAWING #	AREA

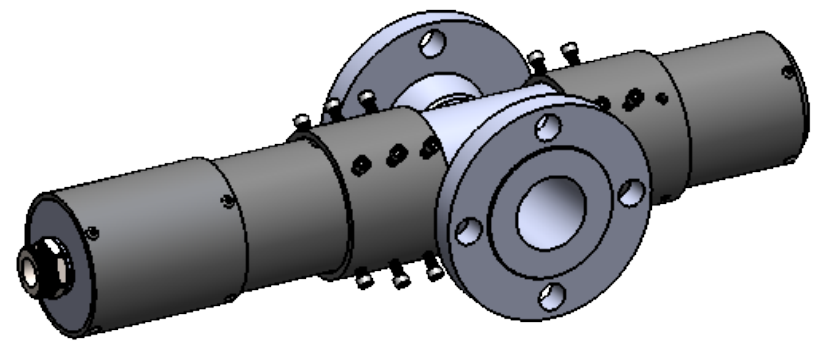
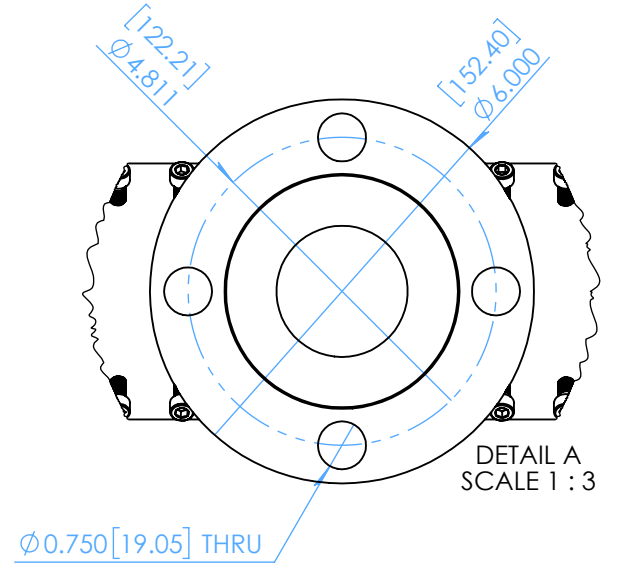


Process In/Out - 2" 150 RF Flange



1" Transceiver

Grey Tape



PROPRIETARY AND CONFIDENTIAL
THE INFORMATION CONTAINED IN THIS DRAWING IS THE SOLE PROPERTY OF BOREAL LASER INC. ANY REPRODUCTION IN PART OR AS A WHOLE WITHOUT THE WRITTEN PERMISSION OF BOREAL LASER INC IS PROHIBITED.

UTILIZATION			
QUANTITY	DESCRIPTION	DRAWING #	AREA

UNLESS OTHERWISE SPECIFIED	NAME	DATE
DIMENSIONS: inches [mm]	DRAWN BY DM	2020-04-14
LIN. TOLERANCES: \pm 0.005 in [0.1 mm] \pm 0.01 in [0.254 mm]	EDITED BY	
ANG. TOLERANCES: 0.5 Degrees	CHECKED BY	
MATERIAL	ENG APPR.	
FINISH	MFG APPR.	
DO NOT SCALE DRAWING	COMMENTS: This is an uncontrolled document. The dimensions in these drawings are suggested and may change without notice. Please refer to technical documentation for installation dimensions.	

BOREAL
12846-146 Street
Edmonton, Alberta, Canada T5L 2H7
Ph: 780-488-5173
Fax: 780-488-0780
Web: www.boreal-laser.com

TITLE: **Stack/Duct Probe**

PART # N/A

DWG. # GF3MC_ILX

REV: -
DATE: -

SHEET 5 OF 5