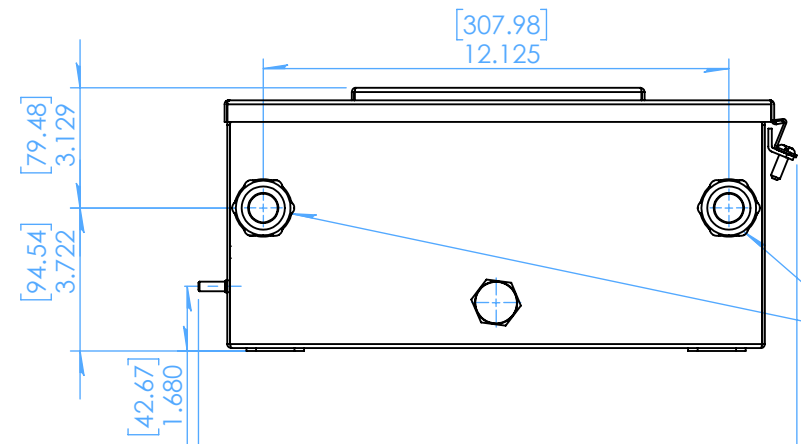


8 7 6 5 4 3 2 1

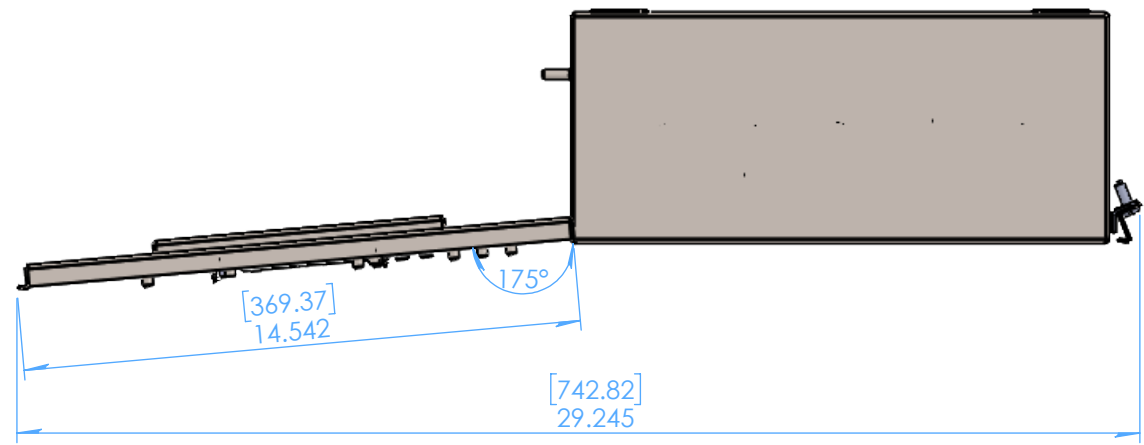
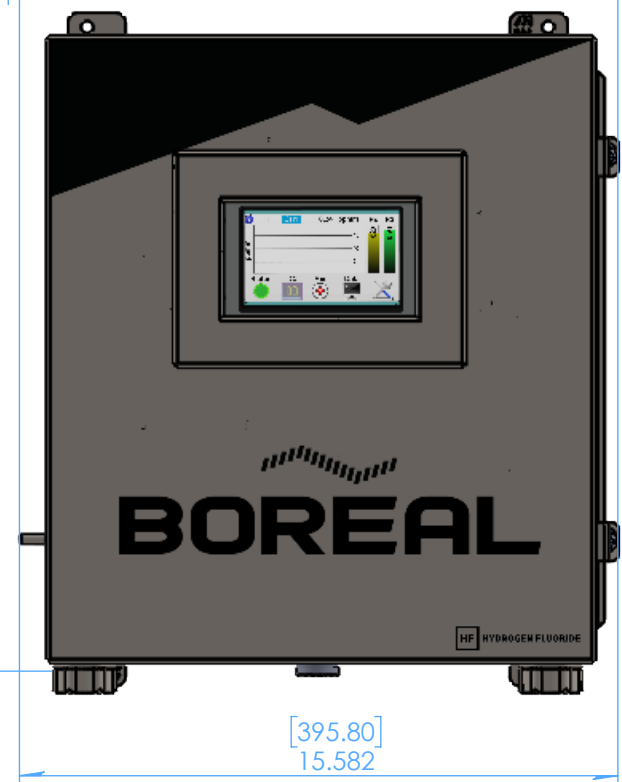
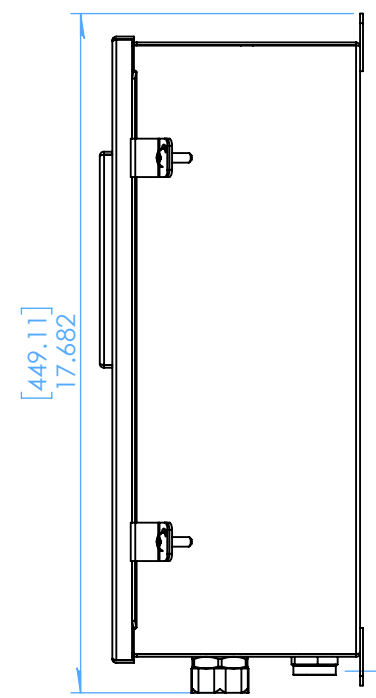
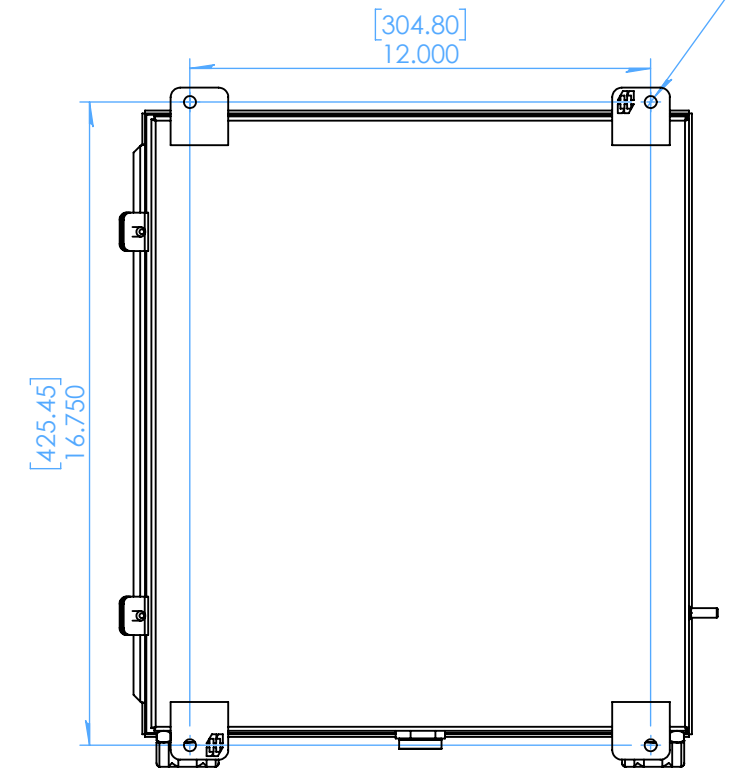
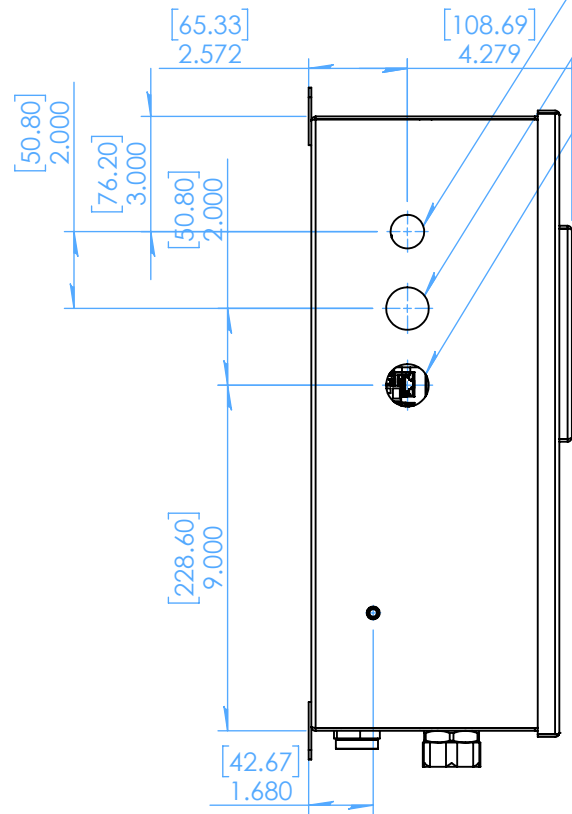
REVISIONS			
REV.	DESCRIPTION	DATE	APPROVED



Measurement Head Assembly
 3/4" Conduit and Connectors
 RJ45(Cat6e) and Fiber

Power
 1/2" Conduit & Connectors
 4-20mA & Relay Connections
 3/4" Conduit and Connectors
 RS232, RS485 & Serial outputs
 3/4" Conduit and Connectors

Ø0.313 [7.94] THRU



UNLESS OTHERWISE SPECIFIED	NAME	DATE
DIMENSIONS: inches [mm]	DRAWN BY DM	02/08/2019
LIN. TOLERANCES: ±0.005 in [0.1 mm] ±0.01 in [0.254 mm]	EDITED BY	
ANG. TOLERANCES: 0.5 Degrees	CHECKED BY	
	ENG APPR.	
	MFG APPR.	
MATERIAL	COMMENTS:	
FINISH		
DO NOT SCALE DRAWING		

BOREAL
 12846-146 Street
 Edmonton, Alberta, Canada T5L 2H7
 Ph: 780-488-5173
 Fax: 780-488-0780
 Web: www.boreal-laser.com

TITLE: **GasFinder3-DC Assembly**

PART #

DWG. #

REV: _____
 DATE: _____

SHEET 2 OF 6

PROPRIETARY AND CONFIDENTIAL
 THE INFORMATION CONTAINED IN THIS DRAWING IS THE SOLE PROPERTY OF BOREAL LASER INC. ANY REPRODUCTION IN PART OR AS A WHOLE WITHOUT THE WRITTEN PERMISSION OF BOREAL LASER INC IS PROHIBITED.

UTILIZATION			
QUANTITY	DESCRIPTION	DRAWING #	AREA

8 7 6 5 4 3 2 1

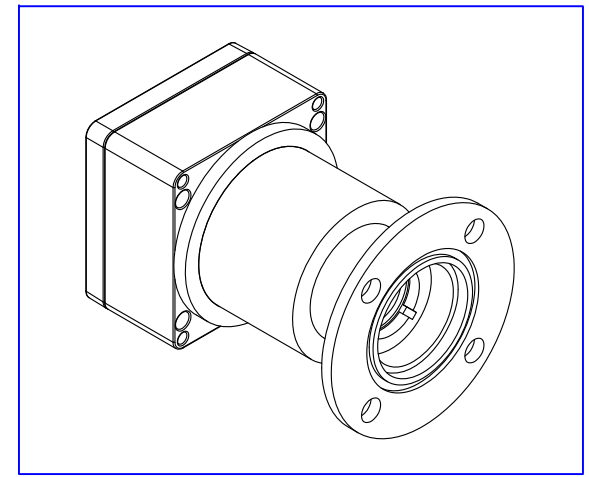
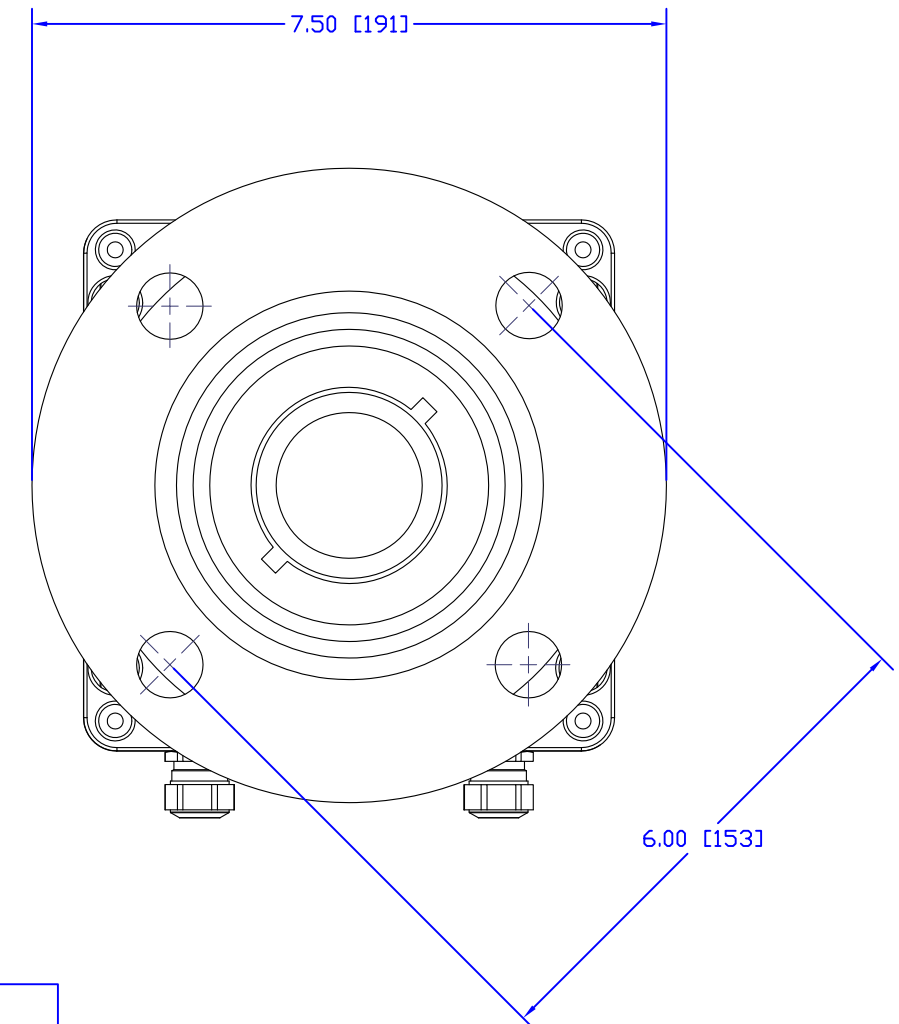
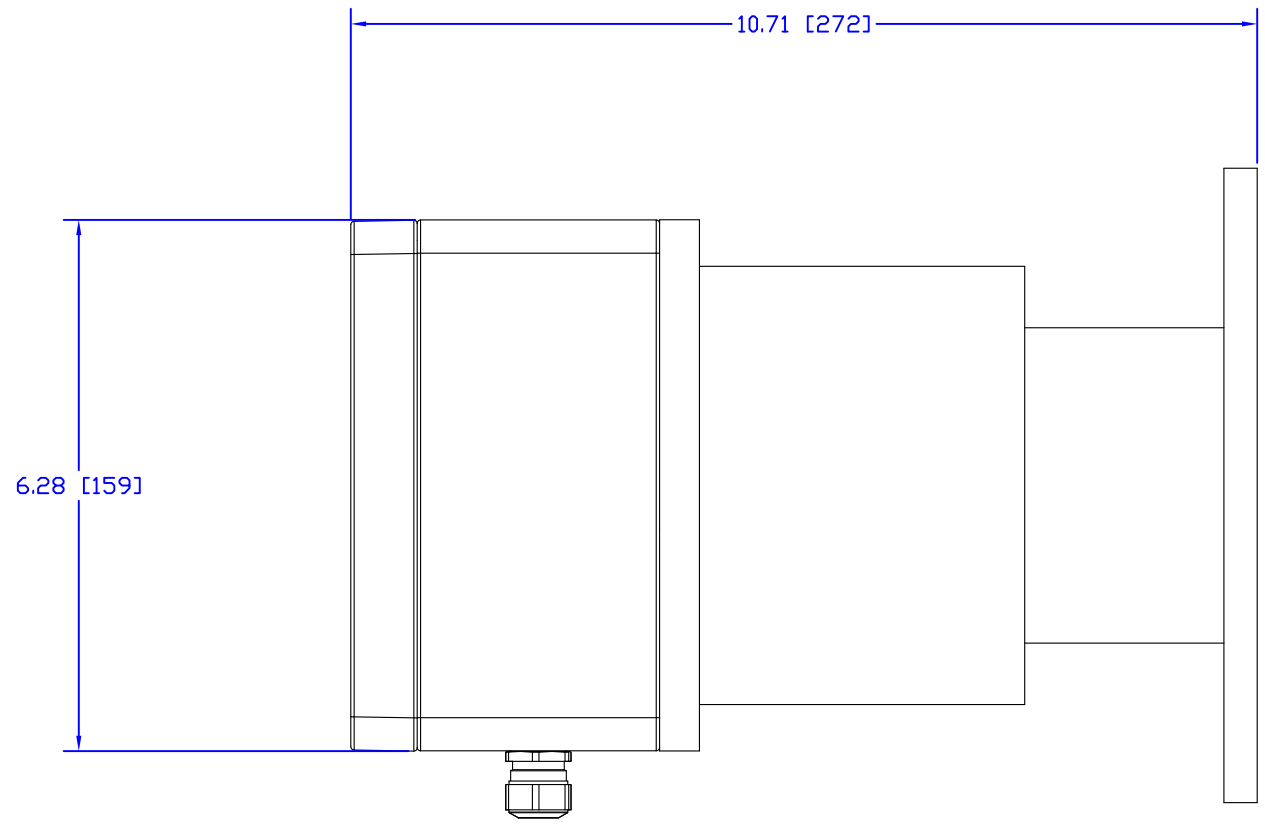
FNAME

REVDATE

USER



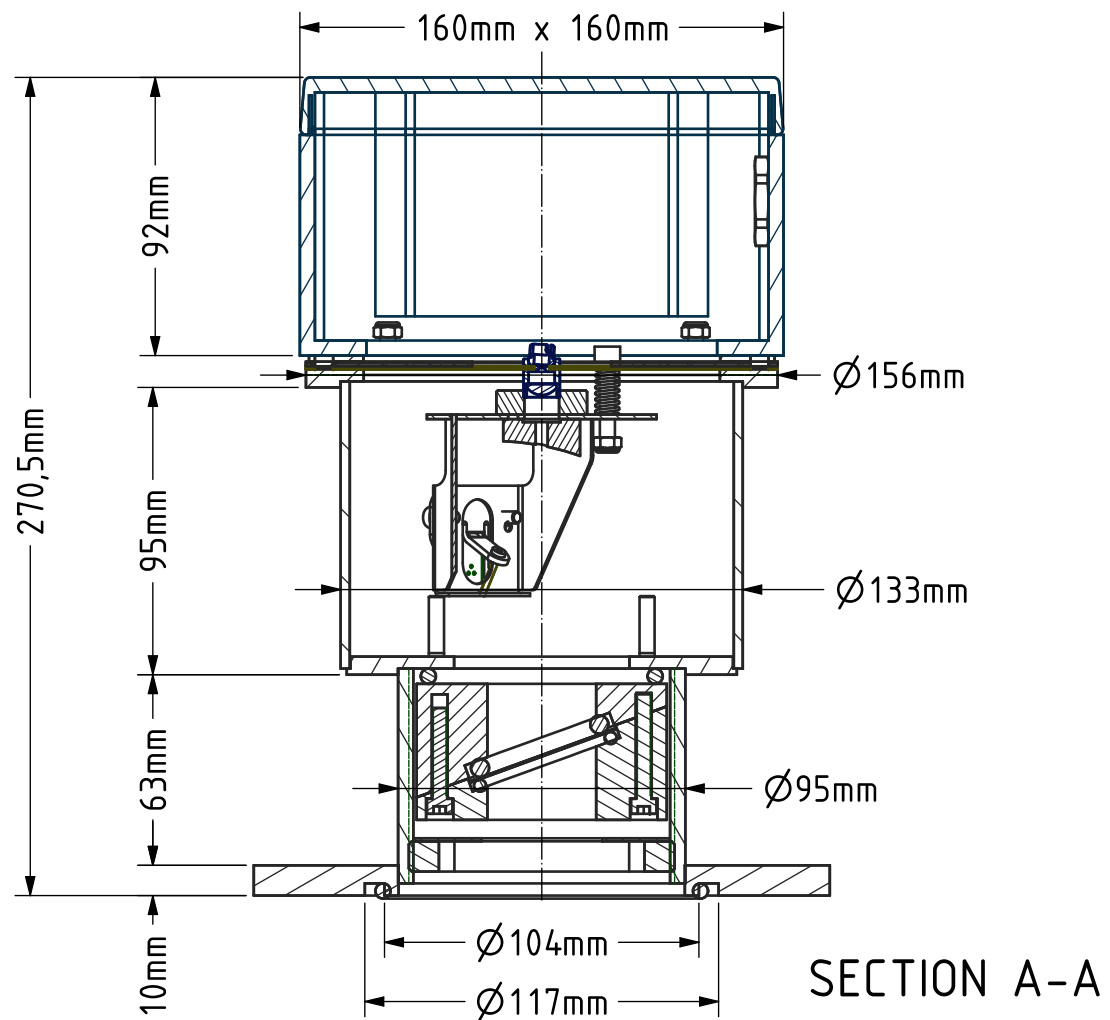
REVISIONS				
ZONE	REV	DESCRIPTION	DATE	APPROVED



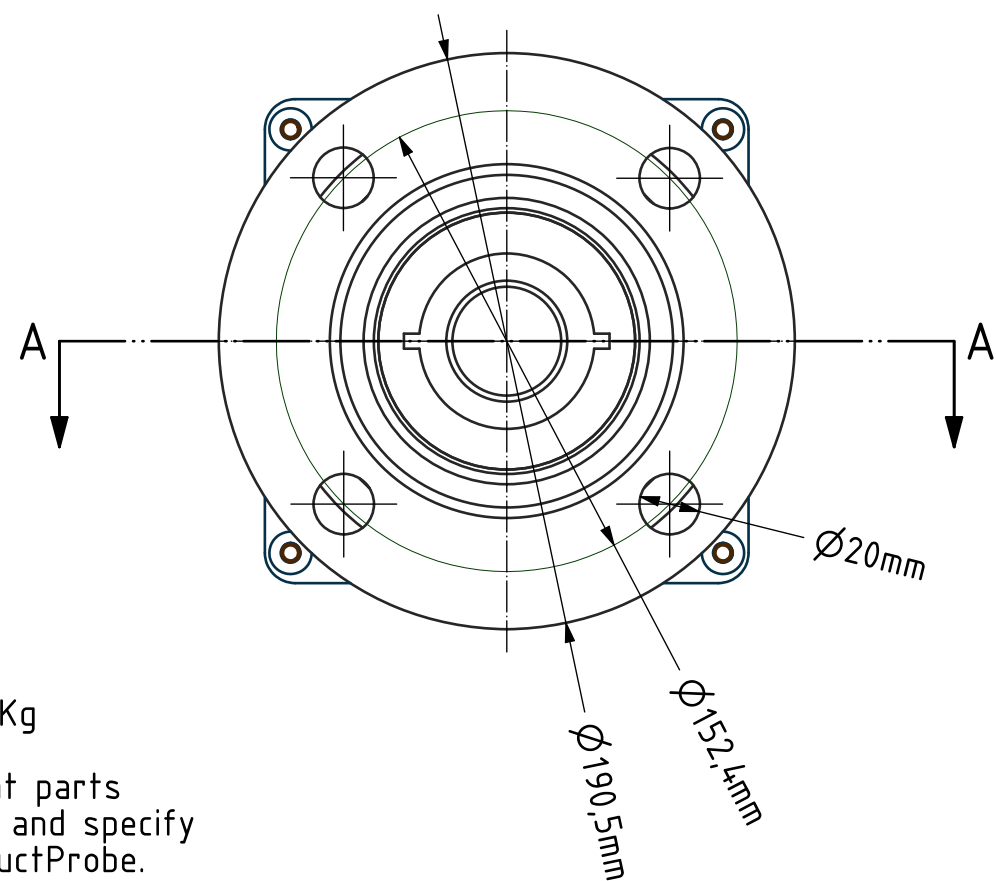
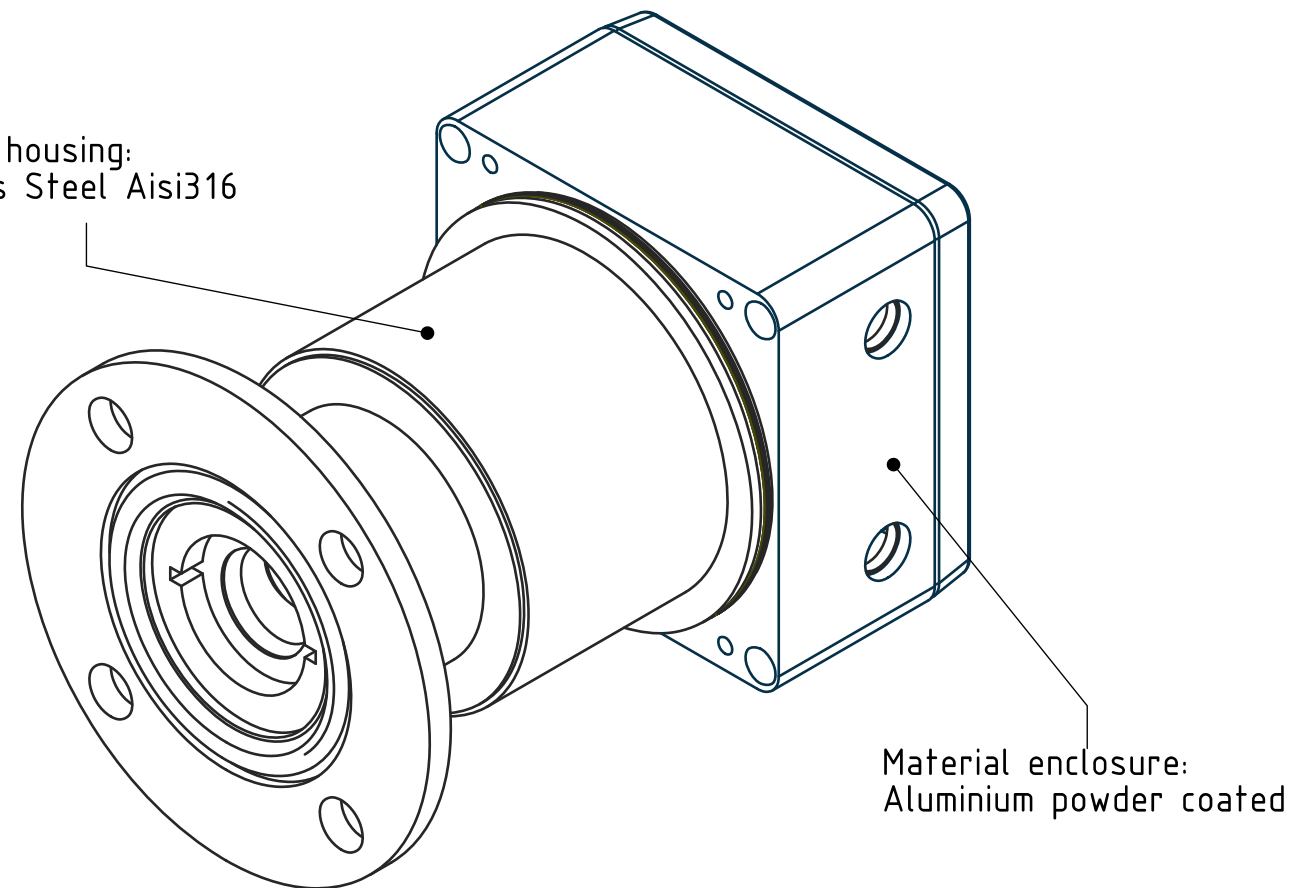
ANSI 3" 150lb Flange
Standard for V1 Duct Probe

BOREAL LASER INC.
Duct Probe Transceiver Head

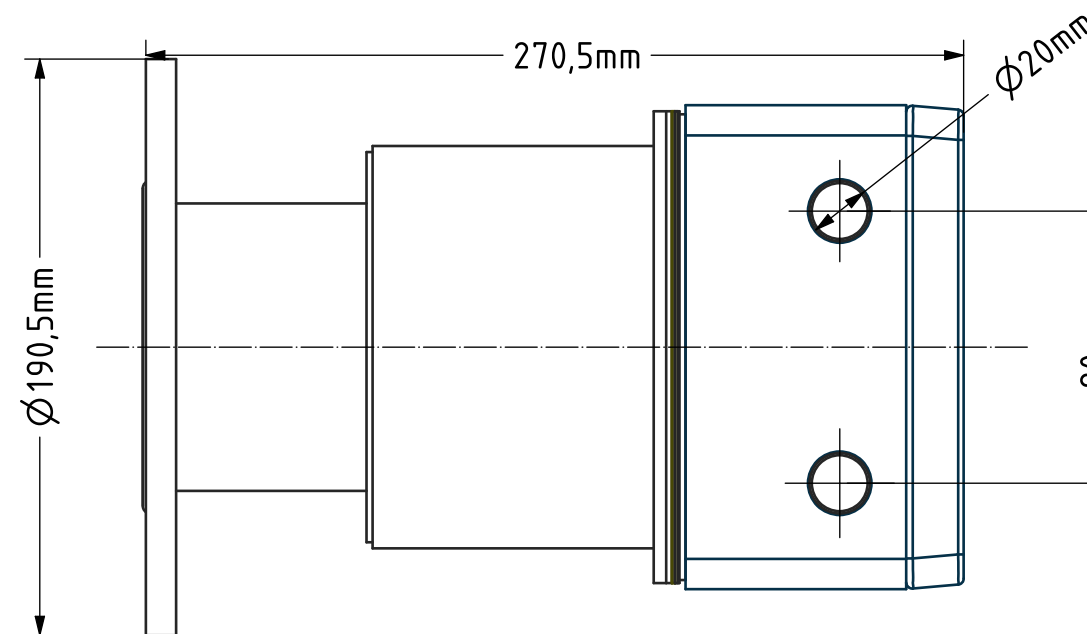
Dim: inches [mm]	SIZE	FSCM NO.	DWG NO.	REV
	B		JB0829V1-A	
	SCALE	NTS	SHEET 1 of 1	



Material housing:
Stainless Steel Aisi316



BOTTOM VIEW



total weight: 7Kg

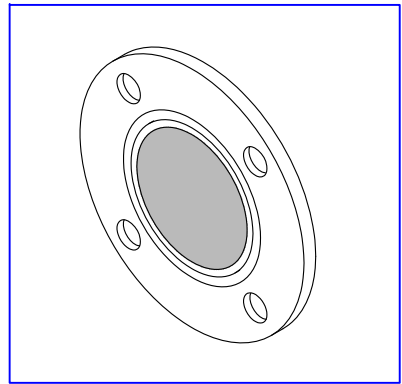
For replacement parts
contact Boreal and specify
type number DuctProbe.

Itemref:	Quantity:	Title/Name, designation, material, dimensions etc:	Article No./Reference:	
Designed by:	Checked by:	File name:	Date:	Scale:
HOS		BOR022XXX Duct Probe V1 03-Mar-2015	03-Mar-2015	2:5
		Name: Duct probe V1 ANSI 3"		
		Article number: BOR022XXX	Edition: 1	Sheet: 1

FNAME

REVDATE

USER



Ø3.50 [Ø88.90]
REFLECTIVE
MATERIAL

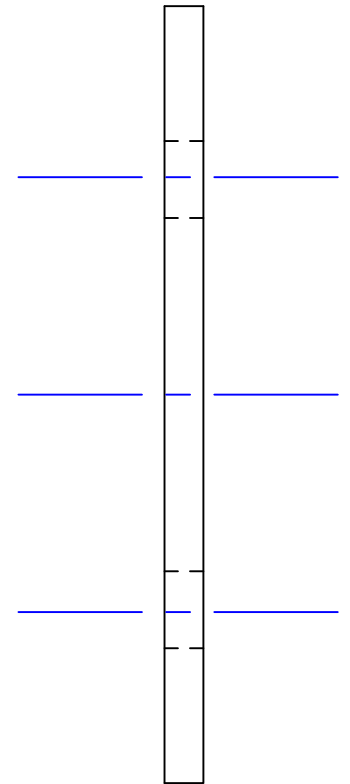
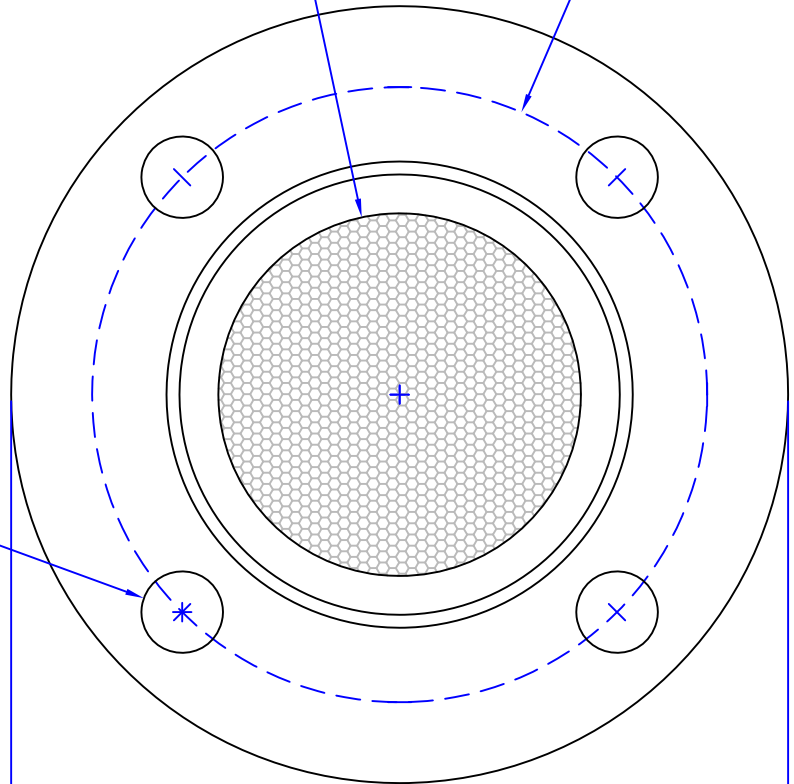
6.00 [152]
bolt circle

Ø0.79 [Ø20.00]
4 places

ANSI 3" 150lb Flange
Standard for V1 Duct Probe

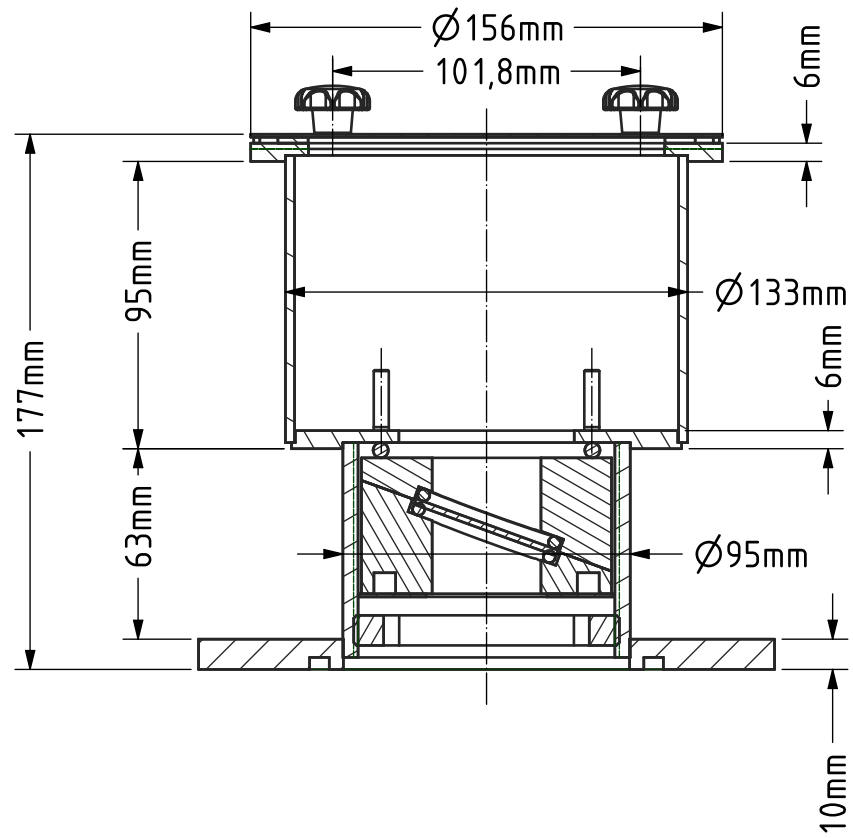
7.50 [190.50]

0.38 [9.53]

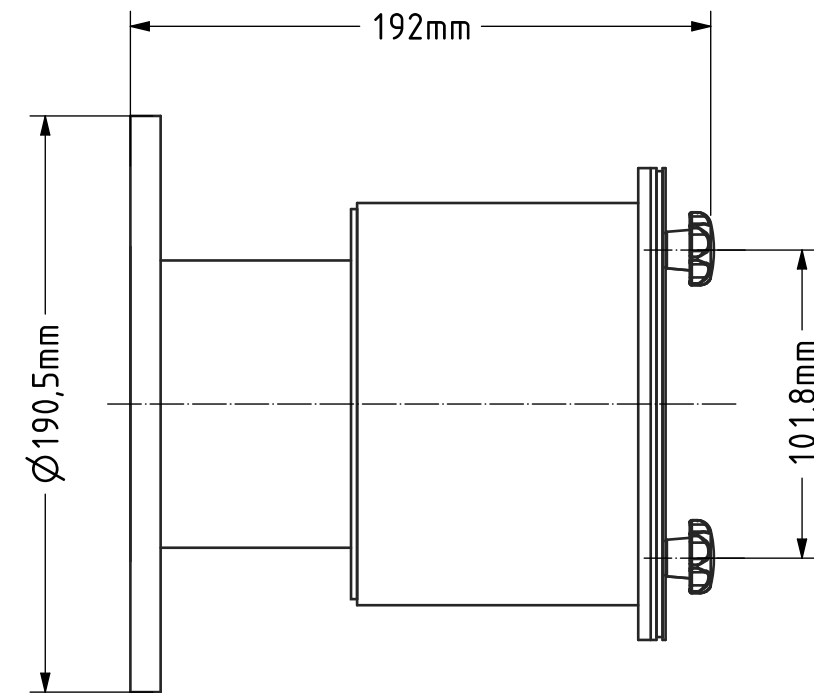
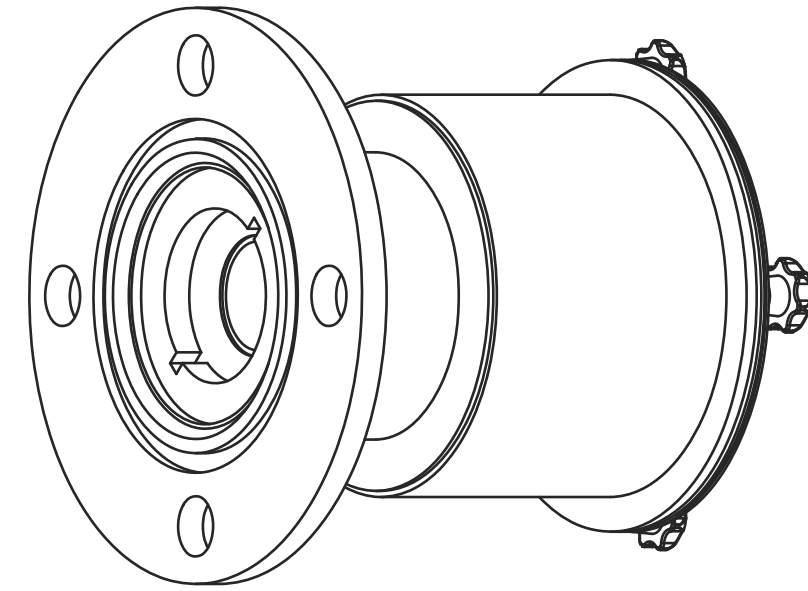
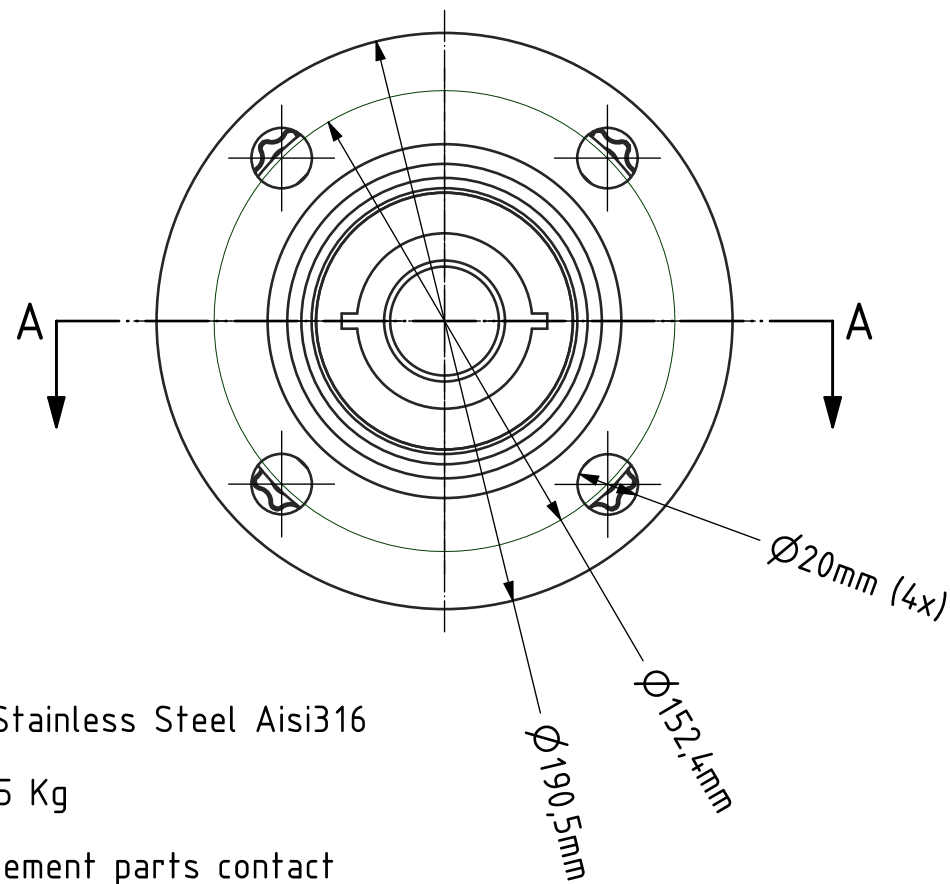


BOREAL LASER INC.
Duct Probe Reflector

Dim: inches [mm]	SIZE	FSCM NO.	DWG NO.	REV
	A		JB0829V1-D	
	SCALE	NTS	SHEET 1 of 1	



SECTION A-A



Material: Stainless Steel Aisi316

Weight: 5,5 Kg

For replacement parts contact Boreal and specify type number.

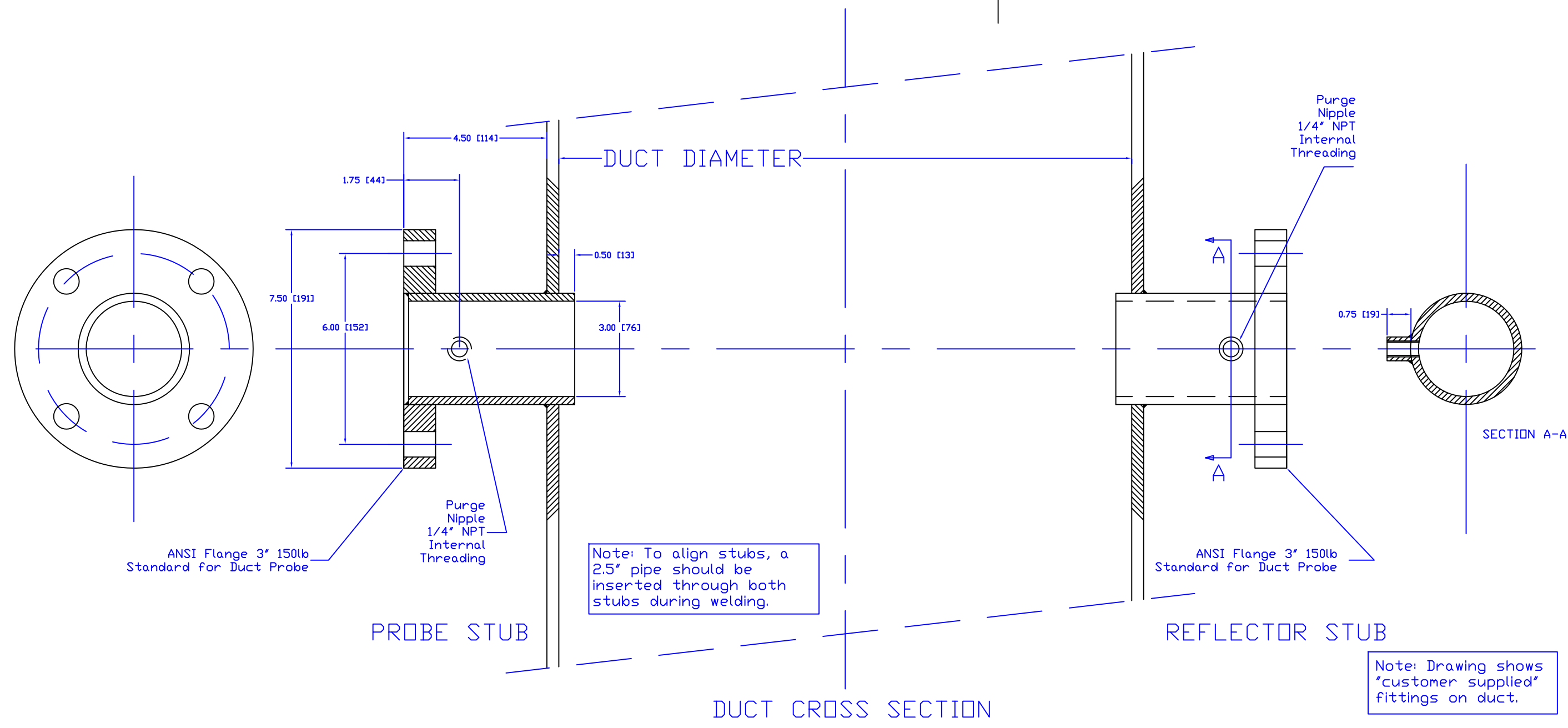
Itemref:	Quantity:	Title/Name, designation, material, dimensions etc:	Article No./Reference:	
Designed by:	Checked by:	File name:	Date:	Scale:
HOS		BOR022550 Retro V1 with Window Insert 1 3-Mar-2015	3-Mar-2015	2:5
			Name:	
			Retro V1 with window Insert 1	
Article number:			Edition:	Sheet:
BOR022550			0	1

FNAME

REVDATE

USER

REVISIONS				
ZONE	REV	DESCRIPTION	DATE	APPROVED



BOREAL LASER INC.
V1 Duct Probe Connections

Dim: inches [mm]	SIZE B	FSCM NO.	DWG NO. JB0830V1-A	REV
	SCALE NTS		SHEET 1 of 1	