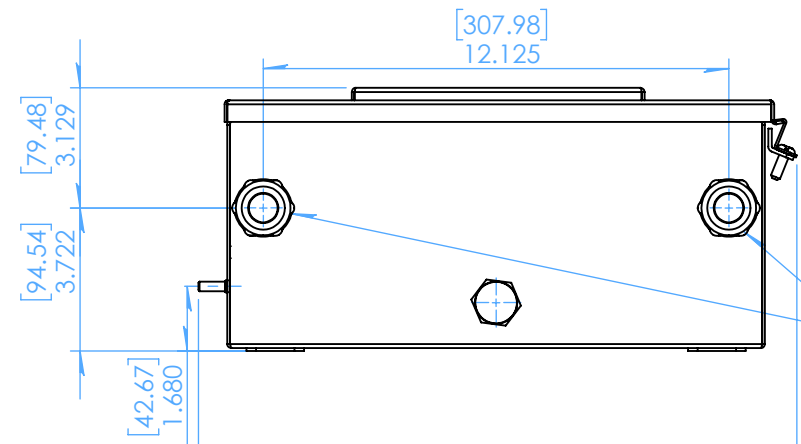


8 7 6 5 4 3 2 1

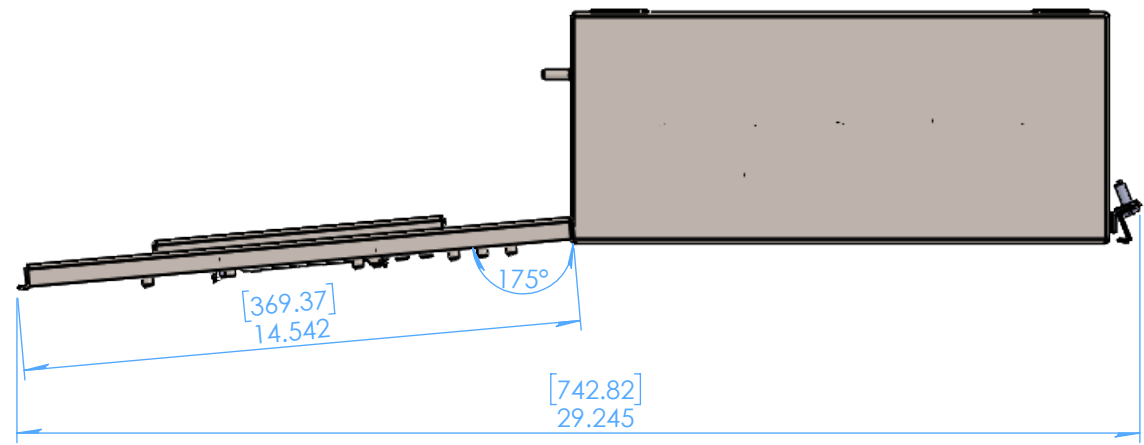
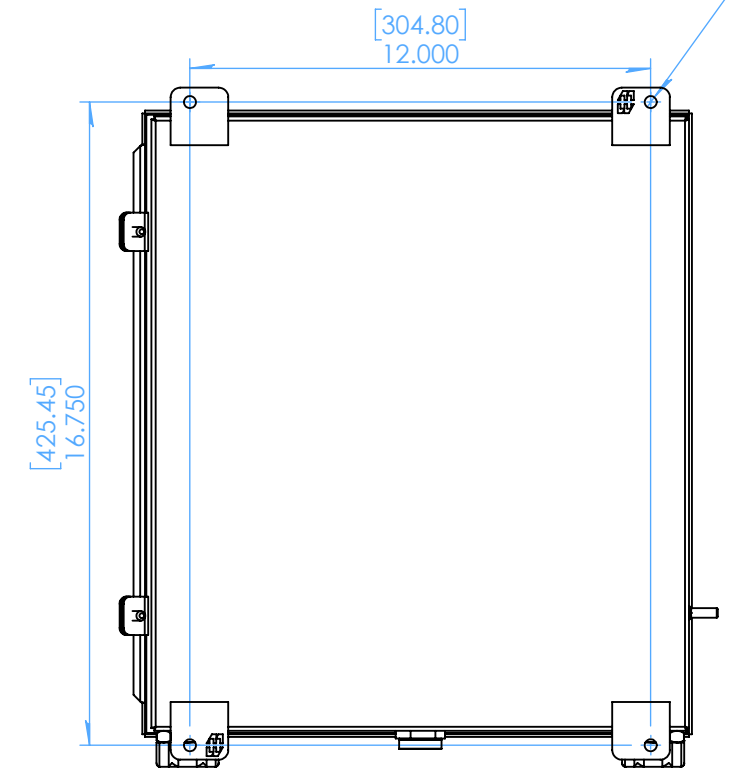
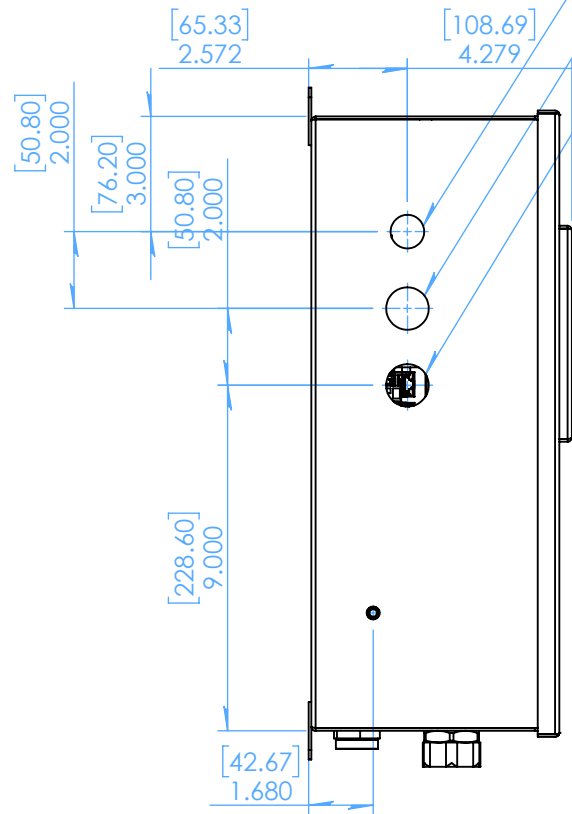
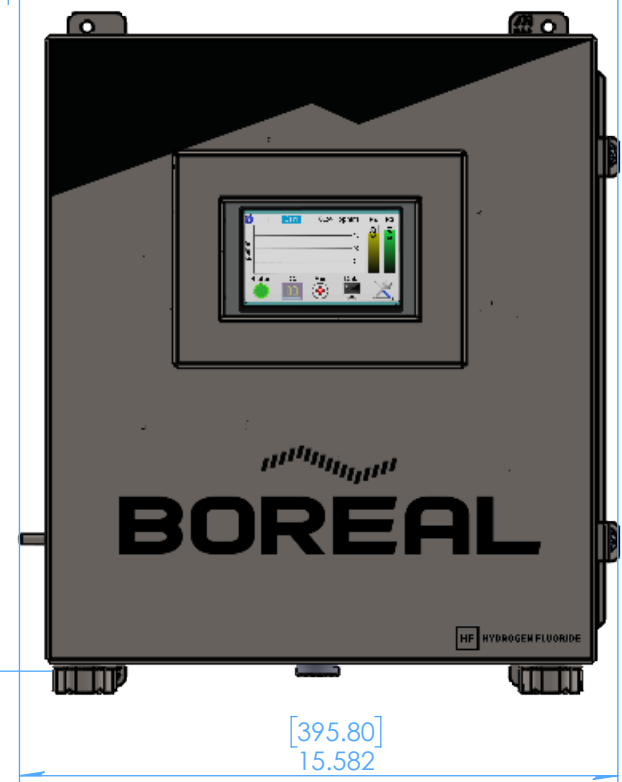
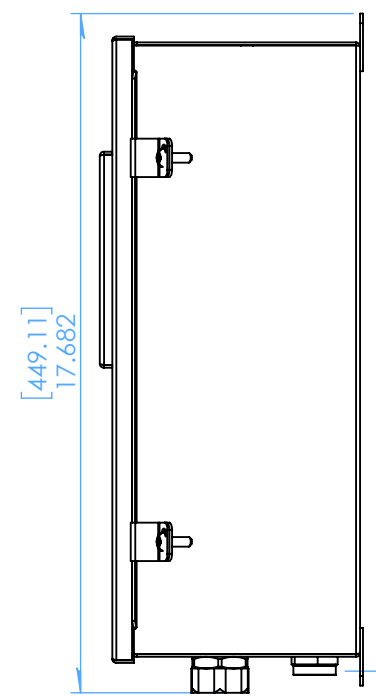
REVISIONS			
REV.	DESCRIPTION	DATE	APPROVED



Measurement Head Assembly
3/4" Conduit and Connectors
RJ45(Cat6e) and Fiber

Power
1/2" Conduit & Connectors
4-20mA & Relay Connections
3/4" Conduit and Connectors
RS232, RS485 & Serial outputs
3/4" Conduit and Connectors

Ø0.313 [7.94] THRU



UNLESS OTHERWISE SPECIFIED	NAME	DATE
DIMENSIONS: inches [mm]	DRAWN BY DM	02/08/2019
LIN. TOLERANCES: ±0.005 in [0.1 mm] ±0.01 in [0.254 mm]	EDITED BY	
ANG. TOLERANCES: 0.5 Degrees	CHECKED BY	
	ENG APPR.	
	MFG APPR.	
MATERIAL	COMMENTS:	
FINISH		
DO NOT SCALE DRAWING		

BOREAL
12846-146 Street
Edmonton, Alberta, Canada
T5L 2H7
Ph: 780-488-5173
Fax: 780-488-0780
Web: www.boreal-laser.com

TITLE: **GasFinder3-DC Assembly**

PART #

DWG. #

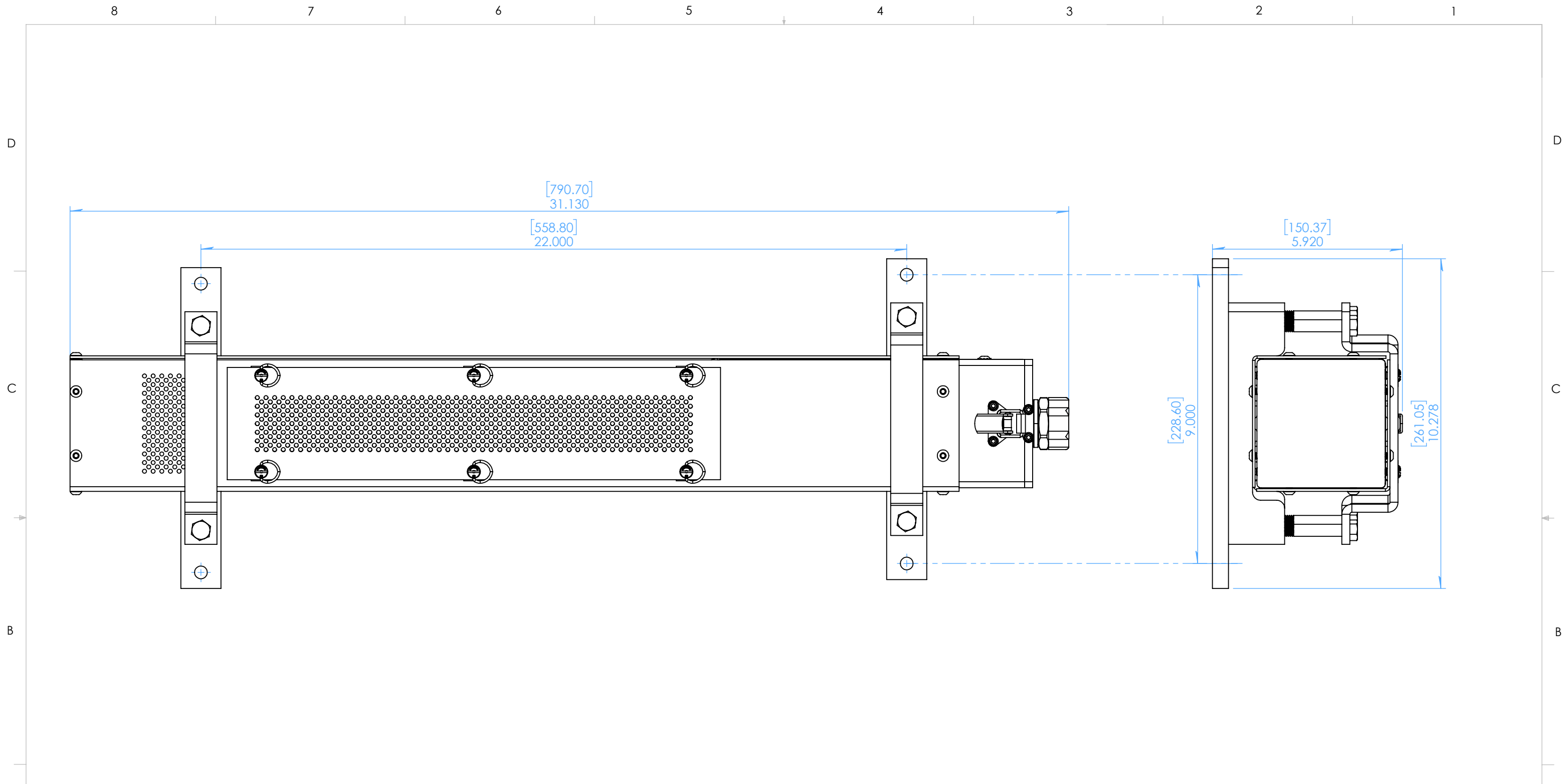
REV: _____
DATE: _____

SHEET 2 OF 6

PROPRIETARY AND CONFIDENTIAL
THE INFORMATION CONTAINED IN THIS DRAWING IS THE SOLE PROPERTY OF BOREAL LASER INC. ANY REPRODUCTION IN PART OR AS A WHOLE WITHOUT THE WRITTEN PERMISSION OF BOREAL LASER INC IS PROHIBITED.

UTILIZATION			
QUANTITY	DESCRIPTION	DRAWING #	AREA

8 7 6 5 4 3 2 1



UNLESS OTHERWISE SPECIFIED		NAME	DATE
DIMENSIONS: inches [mm]		DRAWN BY DM	4/20/2018
LIN. TOLERANCES: ±0.005 in [0.1 mm] ±0.01 in [0.254 mm]		EDITED BY DM	9/30/2019
ANG. TOLERANCES: 0.5 Degrees		CHECKED BY	
		ENG APPR.	
		MFG APPR.	
MATERIAL Aluminum		COMMENTS:	
FINISH Clear Anodized			
DO NOT SCALE DRAWING			

BOREAL
 12846-146 Street Ph: 780-488-5173
 Edmonton, Alberta, Canada Fax: 780-488-0780
 T5L 2H7 Web: www.boreal-laser.com

TITLE: **Transciever, RPX**

PART #

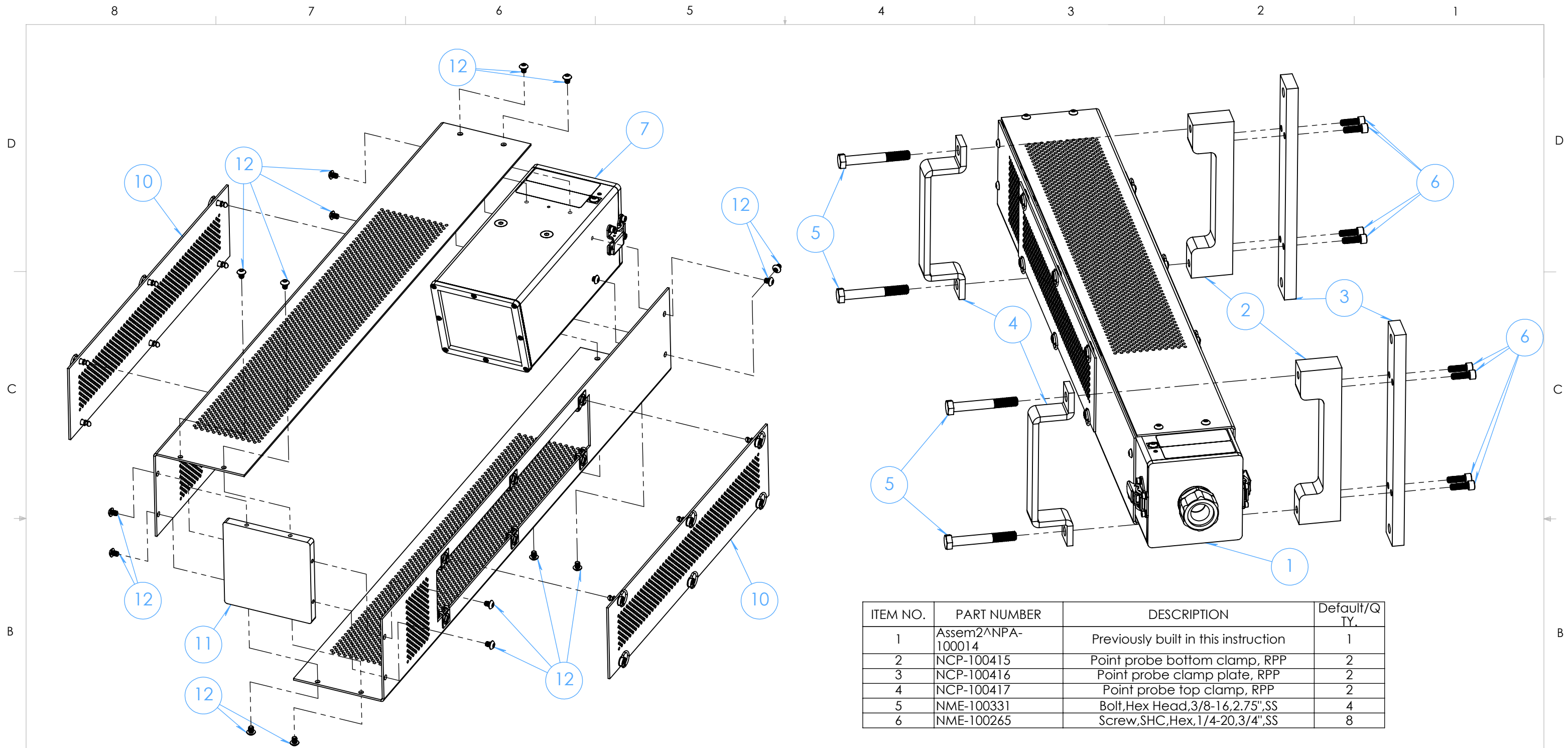
DWG. # RPX General Arrangement

REV: -
DATE: 9/30/2019

SHEET 1 OF 2

PROPRIETARY AND CONFIDENTIAL
 THE INFORMATION CONTAINED IN THIS DRAWING IS THE SOLE PROPERTY OF BOREAL LASER INC. ANY REPRODUCTION IN PART OR AS A WHOLE WITHOUT THE WRITTEN PERMISSION OF BOREAL LASER INC IS PROHIBITED.

UTILIZATION			
QUANTITY	DESCRIPTION	DRAWING #	AREA



ITEM NO.	PART NUMBER	DESCRIPTION	Default/QTY.
1	Assem2^NPA-100014	Previously built in this instruction	1
2	NCP-100415	Point probe bottom clamp, RPP	2
3	NCP-100416	Point probe clamp plate, RPP	2
4	NCP-100417	Point probe top clamp, RPP	2
5	NME-100331	Bolt, Hex Head, 3/8-16, 2.75", SS	4
6	NME-100265	Screw, SHC, Hex, 1/4-20, 3/4", SS	8

ITEM NO.	PART NUMBER	DESCRIPTION	QTY.
7	NSA-100163	OPX, Sub-Assembly	
8	NCP-100443-A	Baseplate, Remote Point Probe, RPP	2
9	NME-100489	Clip-on receptacle, Stainless Steel, RPP	12
10	NSA-100237	Cage Panel Assembly, RPX	2
11	NCP-100445	Retro Plate, RPP	1
12	NME-100486	Screw, BHC, Hex, 10-32, 0.25", SS	17

UNLESS OTHERWISE SPECIFIED		NAME	DATE	<p>12846-146 Street Edmonton, Alberta, Canada T5L 2H7 Ph: 780-488-5173 Fax: 780-488-0780 Web: www.boreal-laser.com</p>	
DIMENSIONS: inches [mm]		DRAWN BY	DM		4/20/2018
LIN. TOLERANCES: ±0.005 in [0.1 mm] ±0.01 in [0.254 mm]		EDITED BY	DM		9/30/2019
ANG. TOLERANCES: 0.5 Degrees		CHECKED BY			
MATERIAL		Aluminum		TITLE: Transceiver, RPX PART # DWG. # RPX General Arrangement	
FINISH		Clear Anodized			
DO NOT SCALE DRAWING		COMMENTS:		REV: - DATE: 9/30/2019 SHEET 2 OF 2	

PROPRIETARY AND CONFIDENTIAL
 THE INFORMATION CONTAINED IN THIS DRAWING IS THE SOLE PROPERTY OF BOREAL LASER INC. ANY REPRODUCTION IN PART OR AS A WHOLE WITHOUT THE WRITTEN PERMISSION OF BOREAL LASER INC IS PROHIBITED.

UTILIZATION			
QUANTITY	DESCRIPTION	DRAWING #	AREA