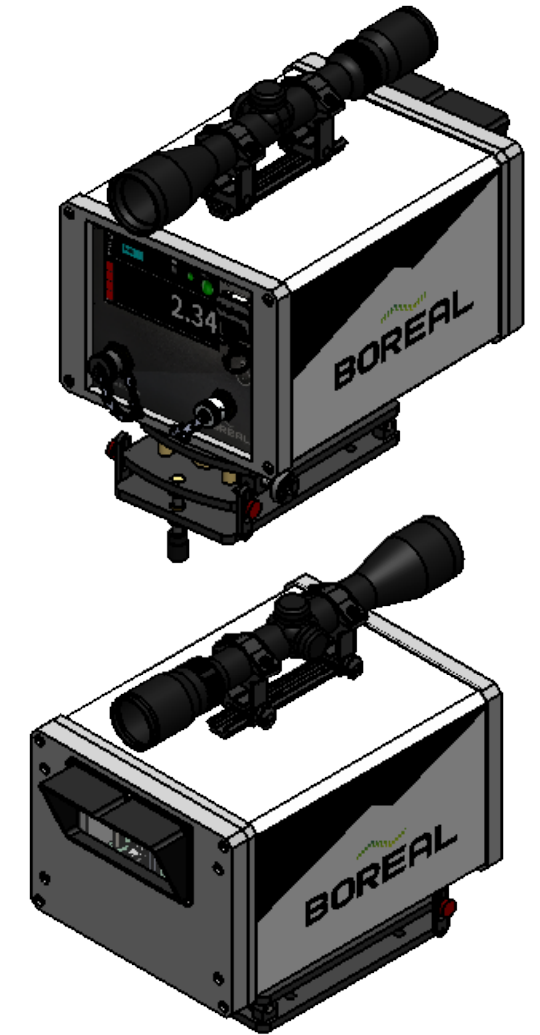
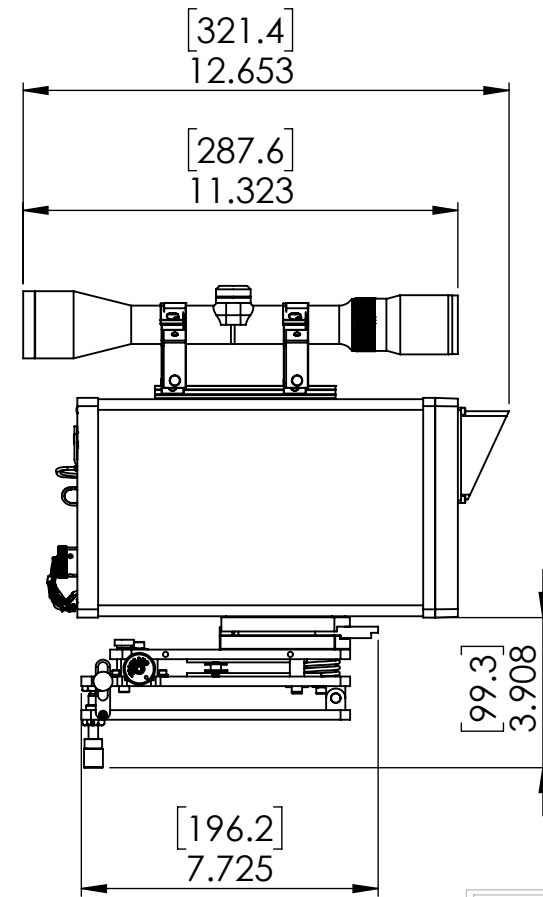
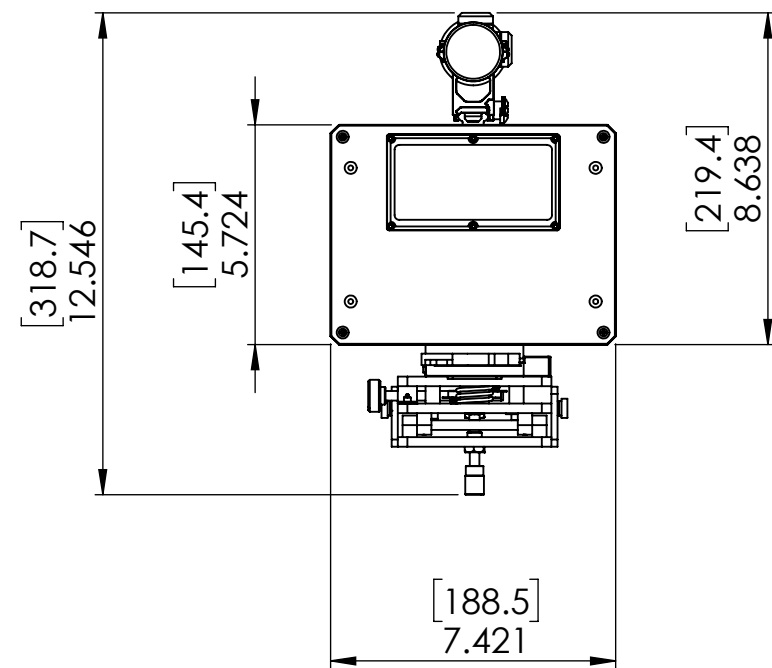
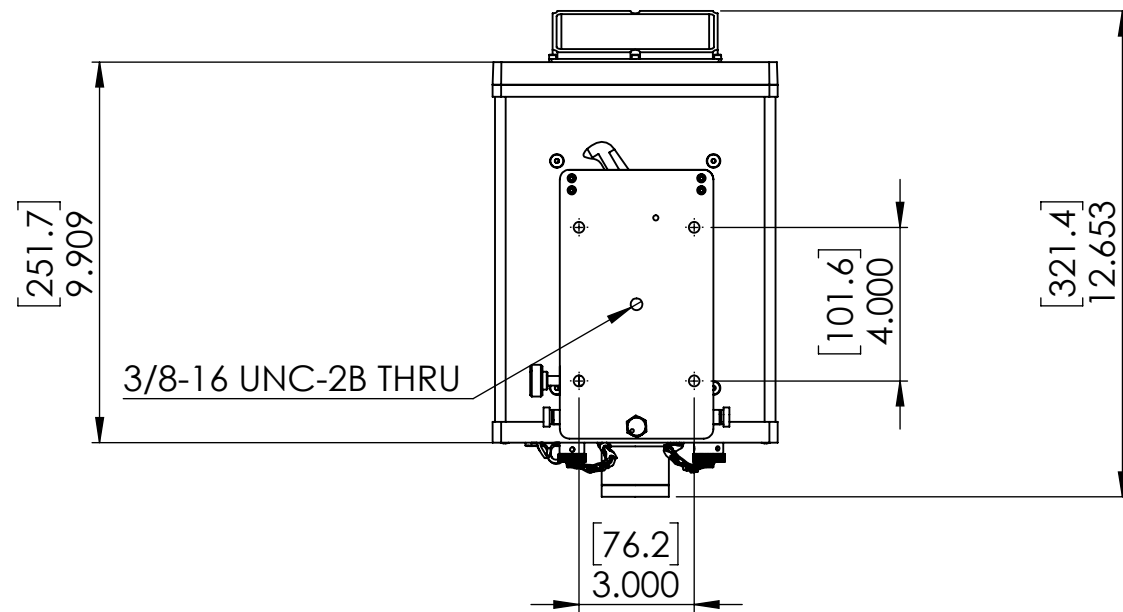


REVISIONS			
REV.	DESCRIPTION	DATE	APPROVED



UNLESS OTHERWISE SPECIFIED	NAME	DATE
DIMENSIONS: inches [mm]	DRAWN BY DM	2022-11-30
LIN. TOLERANCES: ±0.005 in [0.1 mm] ±0.01 in [0.254 mm]	EDITED BY	
ANG. TOLERANCES: 0.5 Degrees	CHECKED BY	
MATERIAL	ENG APPR.	
FINISH	MFG APPR.	
DO NOT SCALE DRAWING	COMMENTS: This is an uncontrolled document. The dimensions in these drawings are suggested and may change without notice. Please refer to technical documentation for installation dimensions.	

<p>12846-146 Street Edmonton, Alberta, Canada T5L 2H7</p> <p>Ph: 780-488-5173 Fax: 780-488-0780 Web: www.boreal-laser.com</p>	
TITLE:	GasFinder3-OP Overview
PART #	N/A
DWG. #	GF3-OP_GenDim
REV: -	DATE:
SHEET 1 OF 1	

PROPRIETARY AND CONFIDENTIAL
THE INFORMATION CONTAINED IN THIS DRAWING IS THE SOLE PROPERTY OF BOREAL LASER INC. ANY REPRODUCTION IN PART OR AS A WHOLE WITHOUT THE WRITTEN PERMISSION OF BOREAL LASER INC IS PROHIBITED.

UTILIZATION			
QUANTITY	DESCRIPTION	DRAWING #	AREA