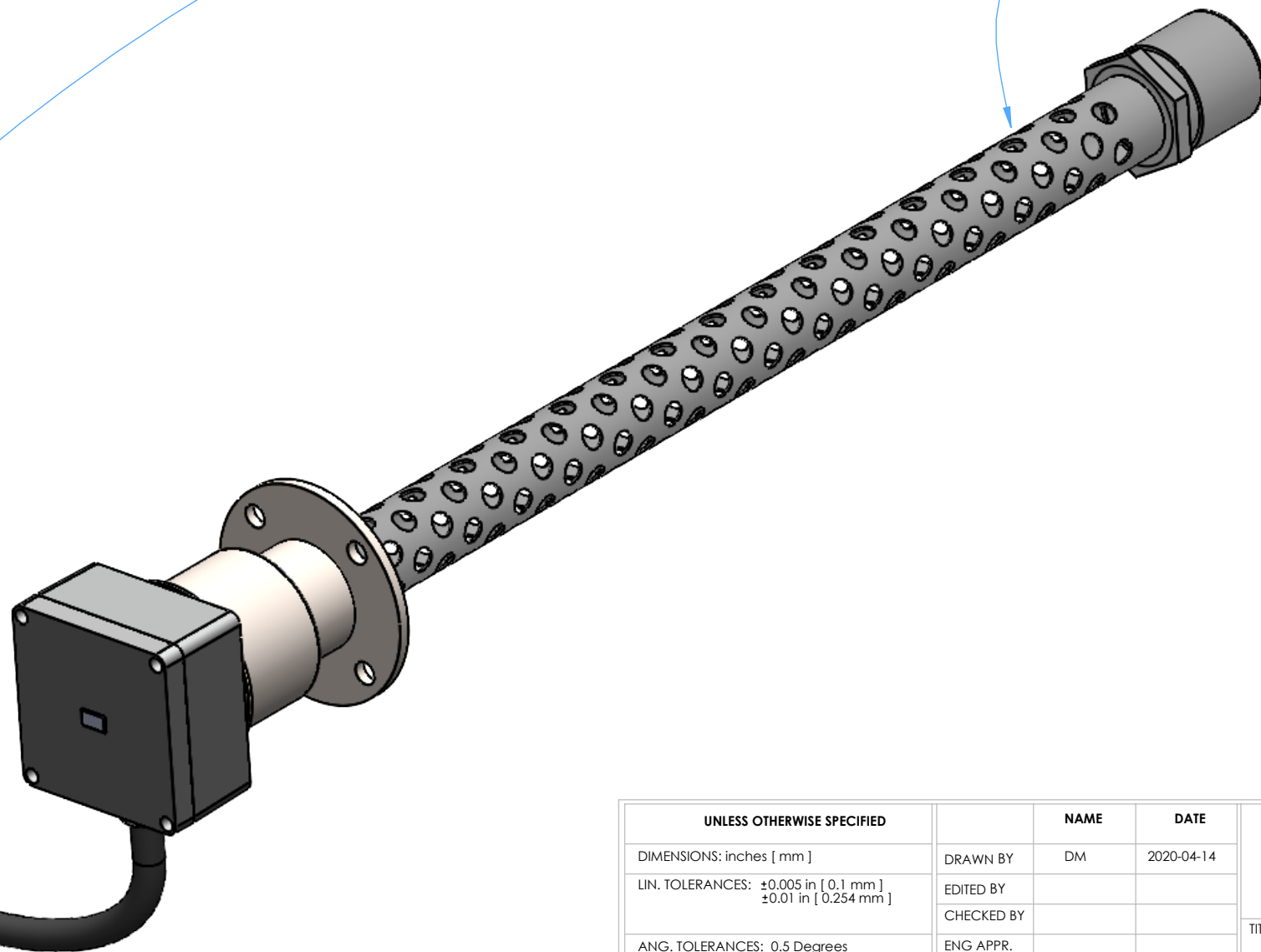
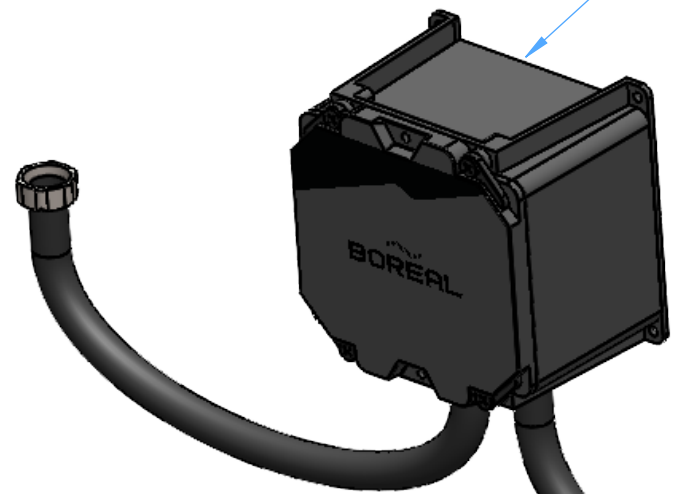


GasFinder3-MC Assembly
Analyzer, Controller, or CCU
Part#: BL-GF3-MC-_-_-_-_-

Cable Kit Options
Part of Stack/Duct (SDX) Probe Assembly
Part#: BL-L1-_-_-_-

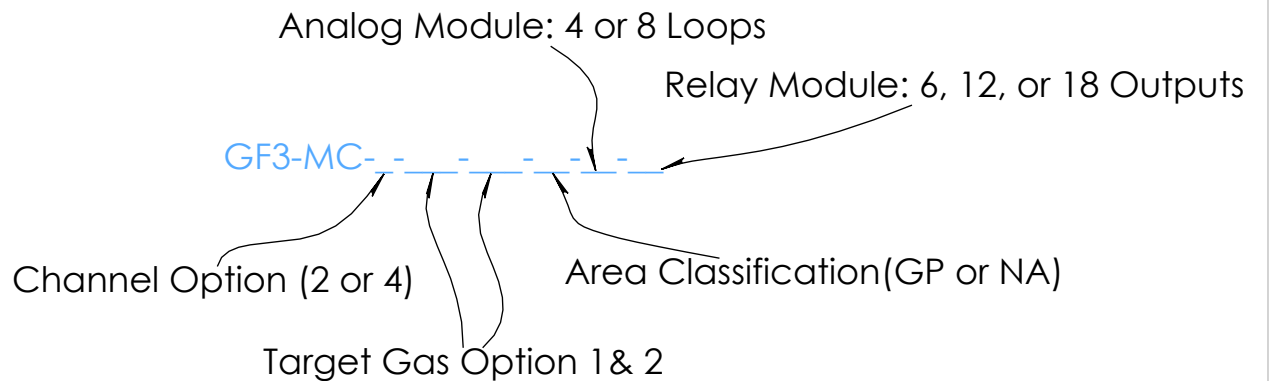
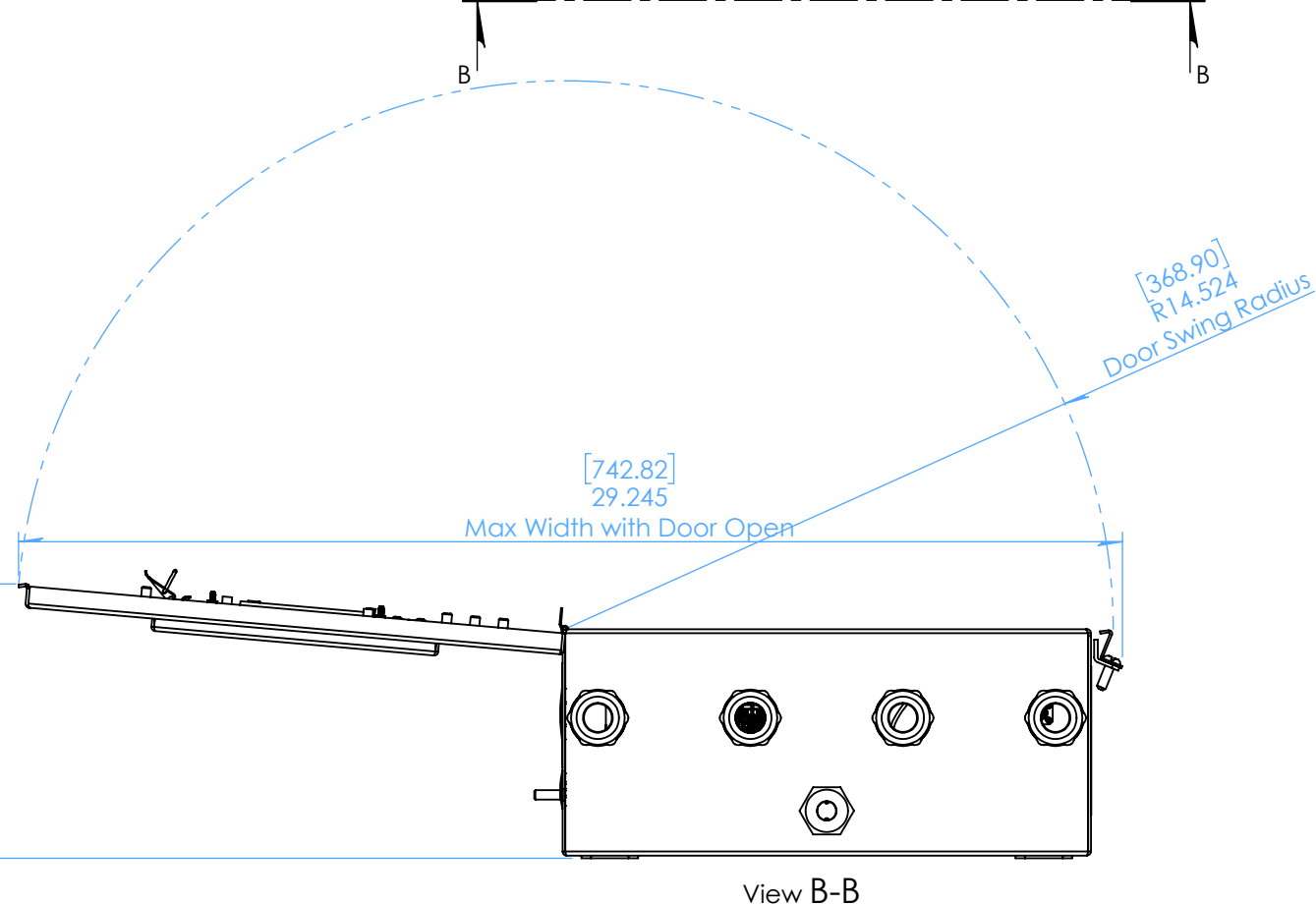
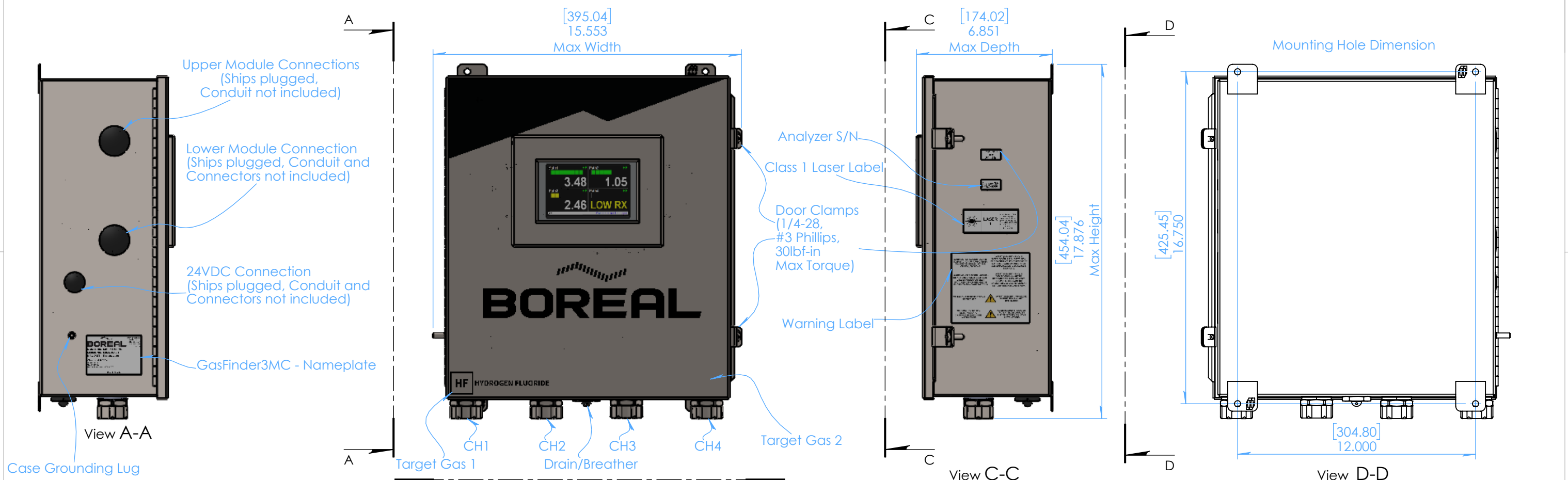
Insertable Retro
Part of Insertable Probe (IPX) Assembly



UNLESS OTHERWISE SPECIFIED		NAME	DATE	 12846-146 Street Edmonton, Alberta, Canada T5L 2H7 Ph: 780-488-5173 Fax: 780-488-0780 Web: www.boreal-laser.com	
DIMENSIONS: inches [mm]		DRAWN BY	DM		2020-04-14
LIN. TOLERANCES: ±0.005 in [0.1 mm] ±0.01 in [0.254 mm]		EDITED BY			
ANG. TOLERANCES: 0.5 Degrees		CHECKED BY			
MATERIAL		ENG APPR.			
FINISH		MFG APPR.			
DO NOT SCALE DRAWING		COMMENTS: This is an uncontrolled document. The dimensions in these drawings are suggested and may change without notice. Please refer to technical documentation for installation dimensions.		TITLE: GasFinder3-MC Overview PART # N/A DWG. # GF3MC_IPX REV: - DATE: SHEET 1 OF 5	

PROPRIETARY AND CONFIDENTIAL
THE INFORMATION CONTAINED IN THIS DRAWING IS THE SOLE PROPERTY OF BOREAL LASER INC. ANY REPRODUCTION IN PART OR AS A WHOLE WITHOUT THE WRITTEN PERMISSION OF BOREAL LASER INC IS PROHIBITED.

UTILIZATION			
QUANTITY	DESCRIPTION	DRAWING #	AREA



PROPRIETARY AND CONFIDENTIAL
 THE INFORMATION CONTAINED IN THIS DRAWING IS THE SOLE PROPERTY OF BOREAL LASER INC. ANY REPRODUCTION IN PART OR AS A WHOLE WITHOUT THE WRITTEN PERMISSION OF BOREAL LASER INC IS PROHIBITED.

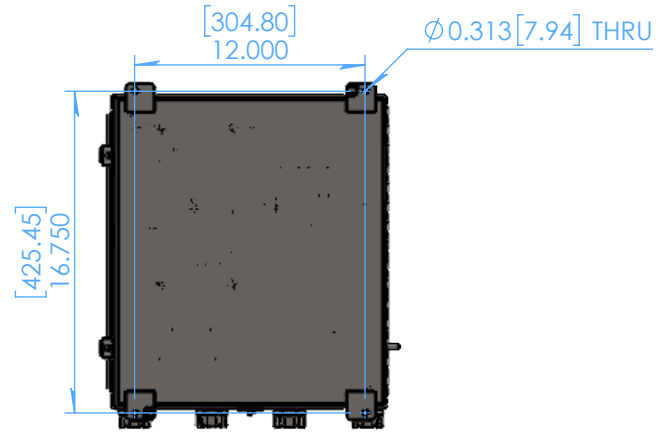
QUANTITY		DESCRIPTION		DRAWING #	AREA

UNLESS OTHERWISE SPECIFIED	NAME	DATE
DIMENSIONS: inches [mm]	DRAWN BY DM	2020-04-14
LIN. TOLERANCES: ±0.005 in [0.1 mm] ±0.01 in [0.254 mm]	EDITED BY	
ANG. TOLERANCES: 0.5 Degrees	CHECKED BY	
MATERIAL	ENG APPR.	
FINISH	MFG APPR.	
DO NOT SCALE DRAWING	COMMENTS: This is an uncontrolled document. The dimensions in these drawings are suggested and may change without notice. Please refer to technical documentation for installation dimensions.	

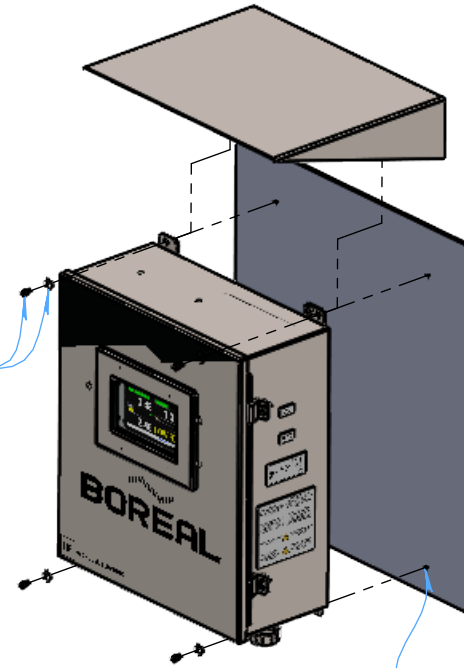
TITLE:	GF3MC General Dimension
PART #	N/A
DWG. #	GF3MC_IPX
REV: -	
DATE:	

BOREAL
 12846-146 Street
 Edmonton, Alberta, Canada
 T5L 2H7
 Ph: 780-488-5173
 Fax: 780-488-0780
 Web: www.boreal-laser.com

SHEET 2 OF 5

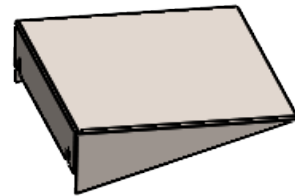
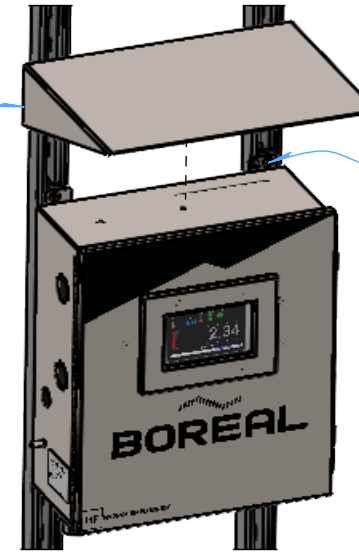


Choose appropriate hardware to securely install enclosure.
[Suggested - #10 screw with #10 lock washer, and #10 Flat washer]



It may be easiest to mount GF3MC unit before installing sunshield

Tighten top nuts/screws after sunshiled installation



Prepare surface for load bearing capacity of at least 20kg [44 lbs] This may include having to install support into target structure or cutting threads into the structure.

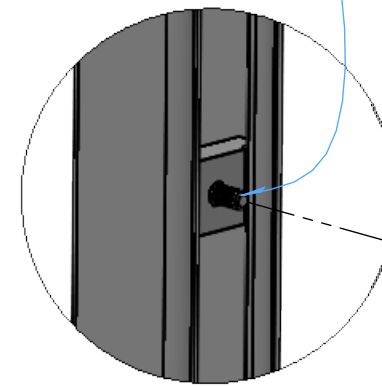
Unitstrut

Optional Sunshield

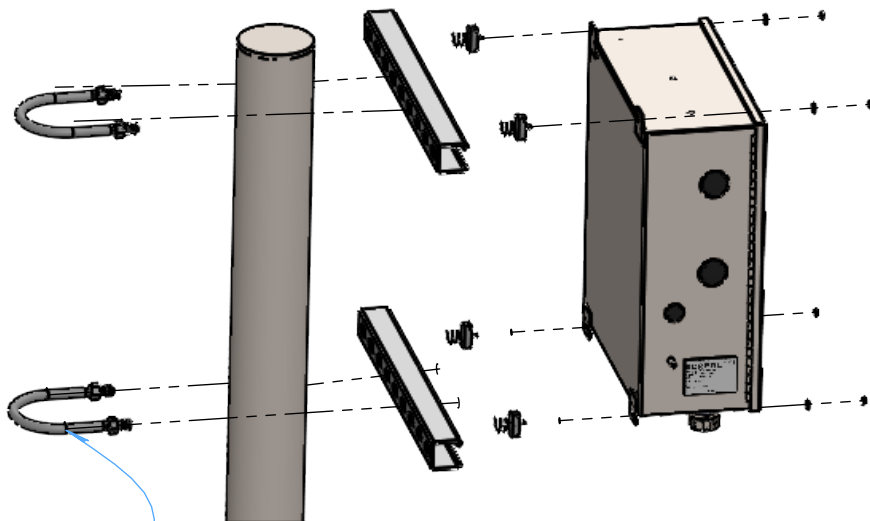
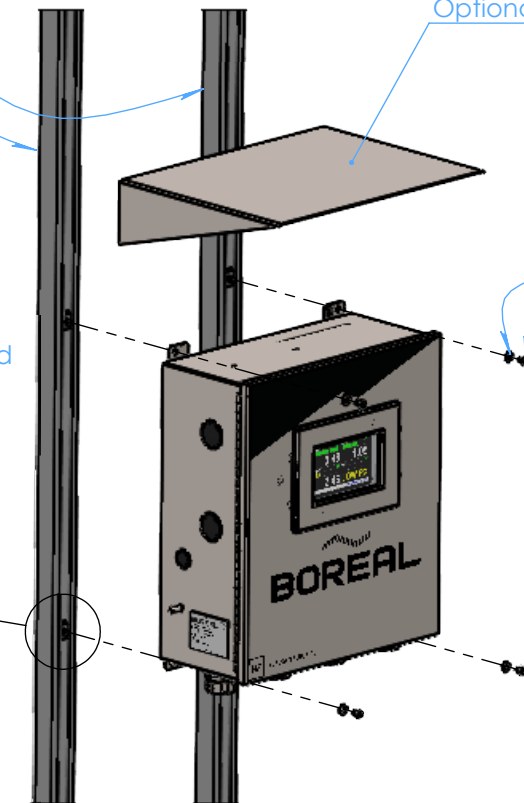
#10 Flat Washer

10-24 Nylok Nut

10-24 Unistrut Stud



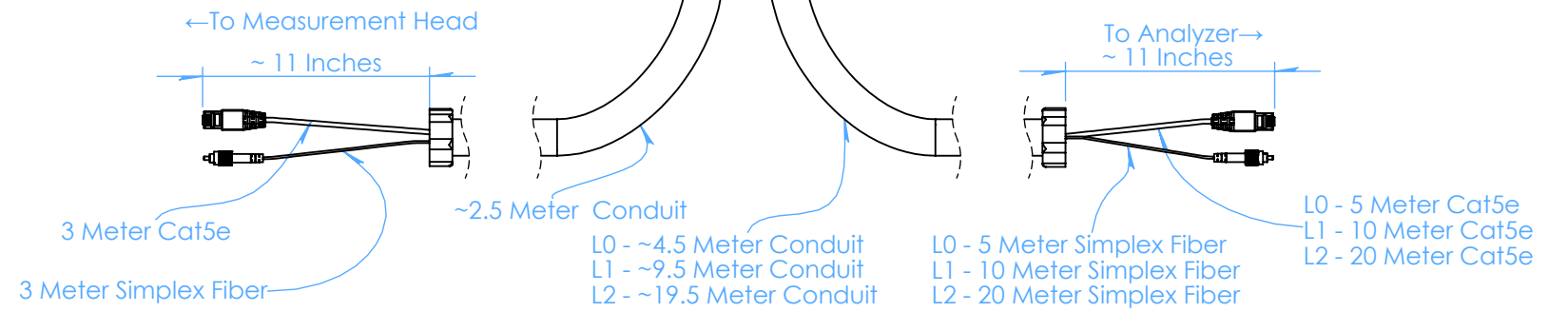
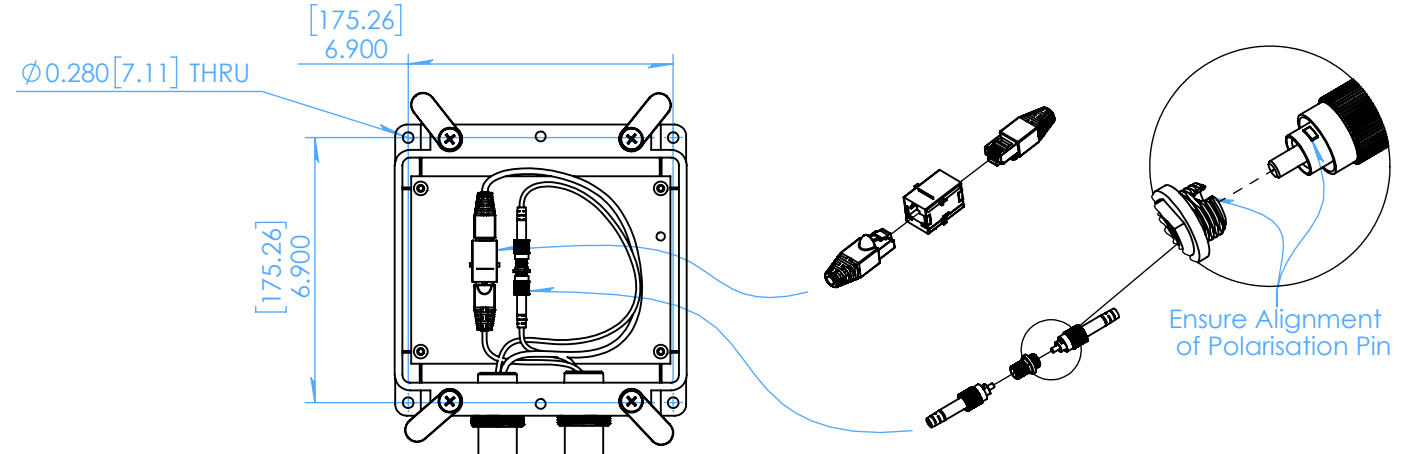
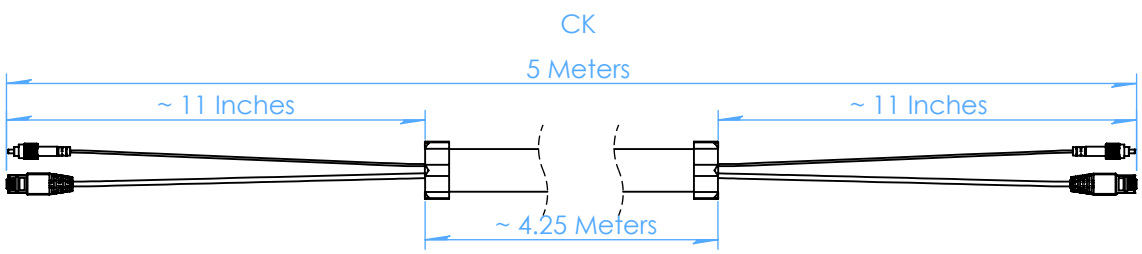
DETAIL A
SCALE 1 : 2



U-Bolt Suitable for Pole Size
(4" Pole in example)

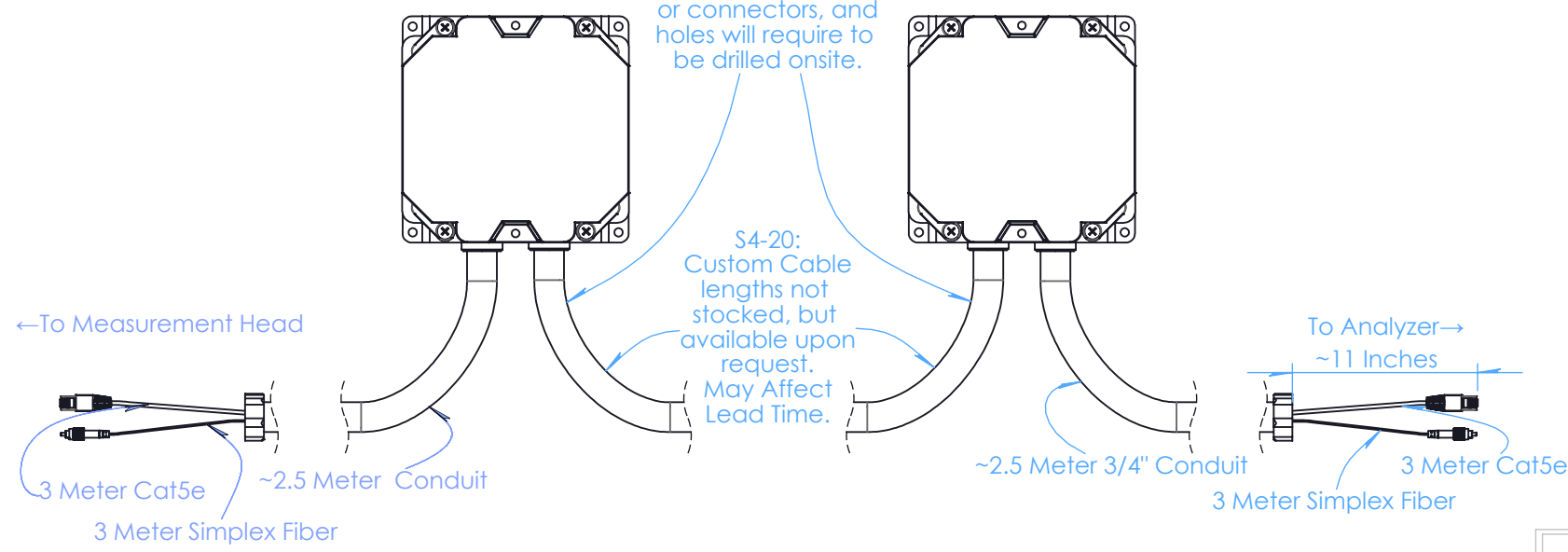
UNLESS OTHERWISE SPECIFIED		NAME	DATE	<p>BOREAL 12846-146 Street Edmonton, Alberta, Canada T5L 2H7</p> <p>Ph: 780-488-5173 Fax: 780-488-0780 Web: www.boreal-laser.com</p>	
DIMENSIONS: inches [mm]		DRAWN BY	DM		2020-04-14
LIN. TOLERANCES: ±0.005 in [0.1 mm] ±0.01 in [0.254 mm]		EDITED BY			
ANG. TOLERANCES: 0.5 Degrees		CHECKED BY			
MATERIAL		ENG APPR.			
FINISH		MFG APPR.			
DO NOT SCALE DRAWING		COMMENTS: This is an uncontrolled document. The dimensions in these drawings are suggested and may change without notice. Please refer to technical documentation for installation dimensions.		TITLE: GF3MC - Mounting Suggestions PART #: N/A DWG. #: GF3MC_IPX REV: - DATE: SHEET 3 OF 5	

PROPRIETARY AND CONFIDENTIAL		UTILIZATION			
THE INFORMATION CONTAINED IN THIS DRAWING IS THE SOLE PROPERTY OF BOREAL LASER INC. ANY REPRODUCTION IN PART OR AS A WHOLE WITHOUT THE WRITTEN PERMISSION OF BOREAL LASER INC IS PROHIBITED.					
QUANTITY	DESCRIPTION	DRAWING #	AREA		



A3-20:
All Armoured lengths are not stocked, but available upon request. May affect lead time. Does not include or connectors, and holes will require to be drilled onsite.

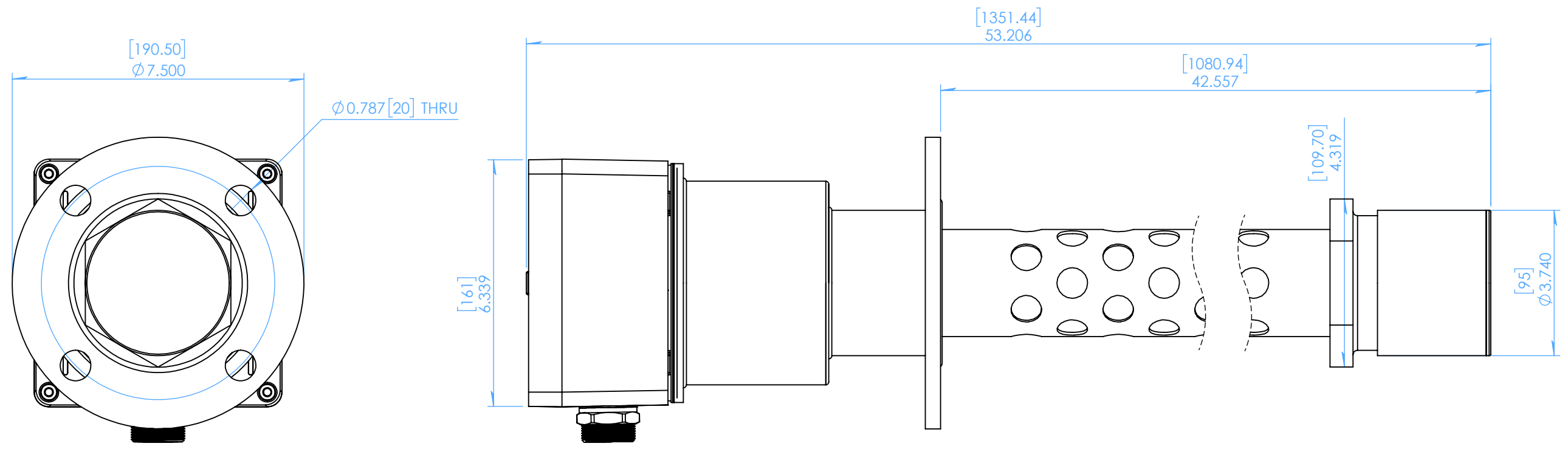
S4-20:
Custom Cable lengths not stocked, but available upon request. May Affect Lead Time.



UNLESS OTHERWISE SPECIFIED		NAME	DATE	 BOREAL 12846-146 Street Edmonton, Alberta, Canada T5L 2H7 Ph: 780-488-5173 Fax: 780-488-0780 Web: www.boreal-laser.com	
DIMENSIONS: inches [mm]		DRAWN BY	DM		2020-04-14
LIN. TOLERANCES: ±0.005 in [0.1 mm] ±0.01 in [0.254 mm]		EDITED BY			
ANG. TOLERANCES: 0.5 Degrees		CHECKED BY			
MATERIAL		ENG APPR.			
FINISH		MFG APPR.			
DO NOT SCALE DRAWING		COMMENTS: This is an uncontrolled document. The dimensions in these drawings are suggested and may change without notice. Please refer to technical documentation for installation dimensions.		TITLE: GF3MC - Cable Options PART # N/A DWG. # GF3MC_IPX REV: - DATE: SHEET 4 OF 5	

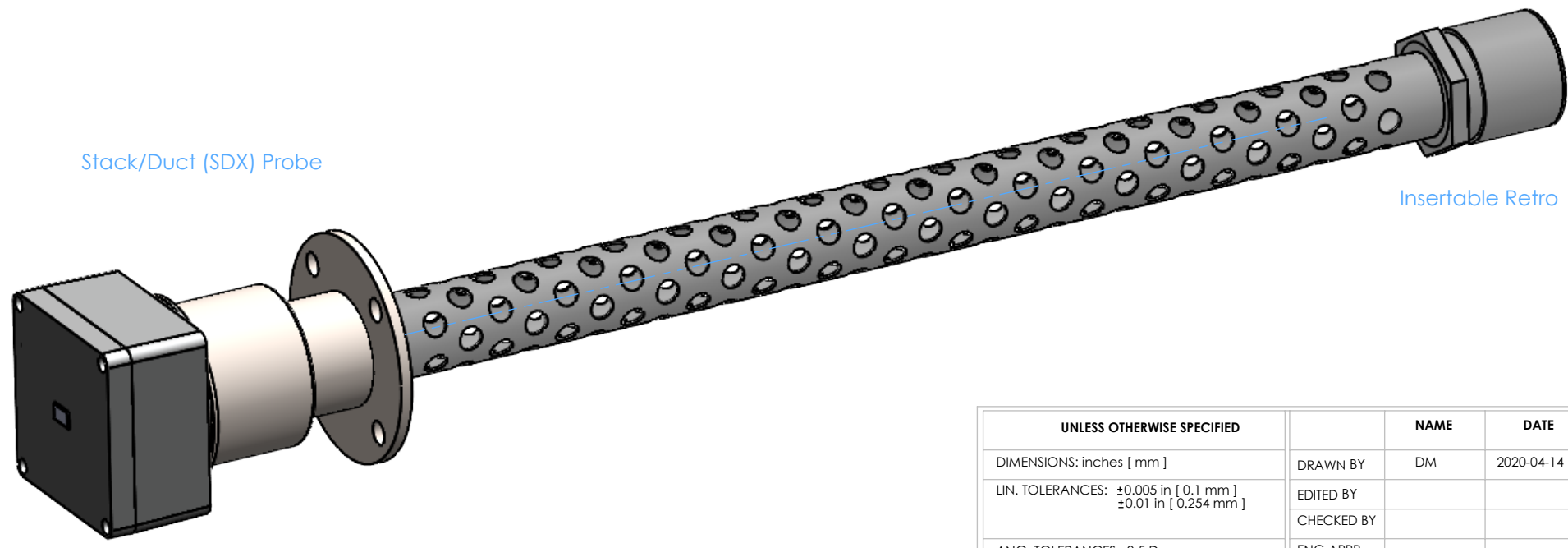
PROPRIETARY AND CONFIDENTIAL
 THE INFORMATION CONTAINED IN THIS DRAWING IS THE SOLE PROPERTY OF BOREAL LASER INC. ANY REPRODUCTION IN PART OR AS A WHOLE WITHOUT THE WRITTEN PERMISSION OF BOREAL LASER INC IS PROHIBITED.

UTILIZATION			
QUANTITY	DESCRIPTION	DRAWING #	AREA



Stack/Duct (SDX) Probe

Insertable Retro



UNLESS OTHERWISE SPECIFIED		NAME	DATE	<p>BOREAL 12846-146 Street Edmonton, Alberta, Canada T5L 2H7 Ph: 780-488-5173 Fax: 780-488-0780 Web: www.boreal-laser.com</p>	
DIMENSIONS: inches [mm]		DRAWN BY	DM		2020-04-14
LIN. TOLERANCES: ±0.005 in [0.1 mm] ±0.01 in [0.254 mm]		EDITED BY			
ANG. TOLERANCES: 0.5 Degrees		CHECKED BY			
MATERIAL		ENG APPR.			
FINISH		MFG APPR.			
DO NOT SCALE DRAWING		COMMENTS: This is an uncontrolled document. The dimensions in these drawings are suggested and may change without notice. Please refer to technical documentation for installation dimensions.		<p>TITLE: High Temperature Stack/Duct Probe</p> <p>PART # N/A</p> <p>DWG. # GF3MC_IPX</p> <p>REV: -</p> <p>DATE:</p> <p>SHEET 5 OF 5</p>	

<p>PROPRIETARY AND CONFIDENTIAL THE INFORMATION CONTAINED IN THIS DRAWING IS THE SOLE PROPERTY OF BOREAL LASER INC. ANY REPRODUCTION IN PART OR AS A WHOLE WITHOUT THE WRITTEN PERMISSION OF BOREAL LASER INC IS PROHIBITED.</p>		<p>UTILIZATION</p>	
QUANTITY	DESCRIPTION	DRAWING #	AREA