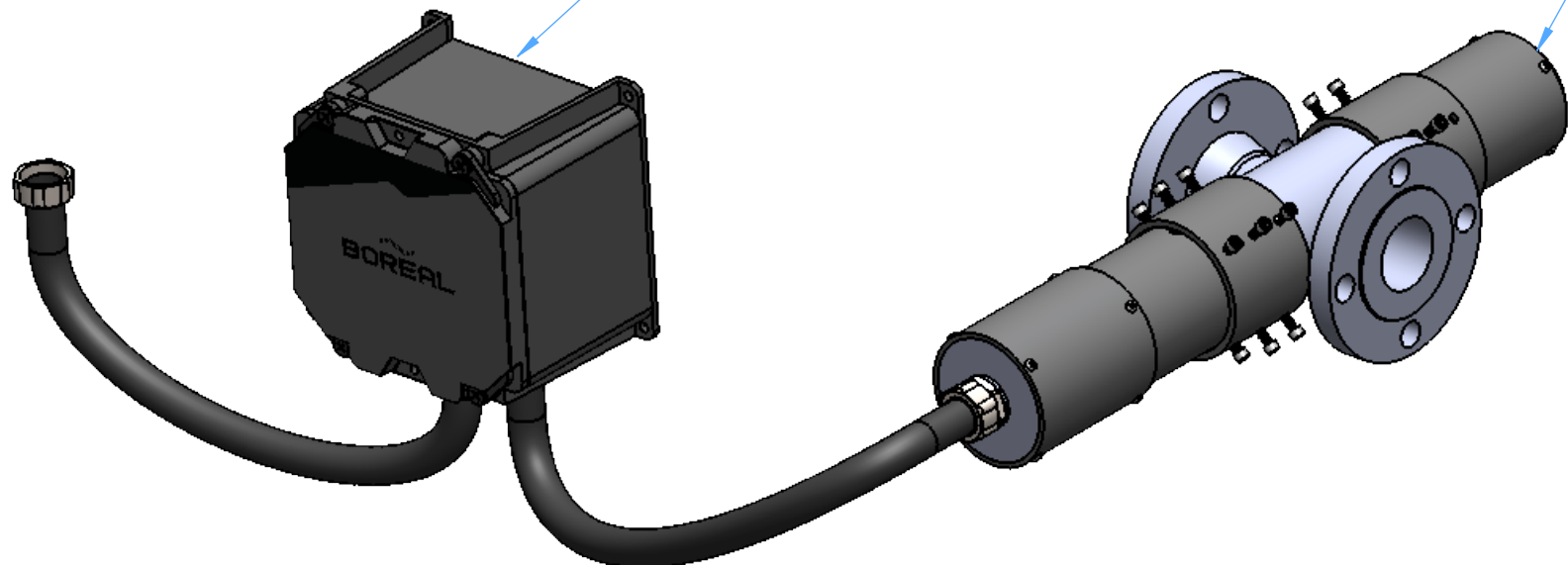


GasFinder3-MC Assembly  
Analyzer, Controller, or CCU  
Part#: BL-GF3-MC-\_-\_-\_-\_-

Cable Kit Options  
Part of In-Line Probe Assembly  
Part#: BL-L1-\_-\_-\_-

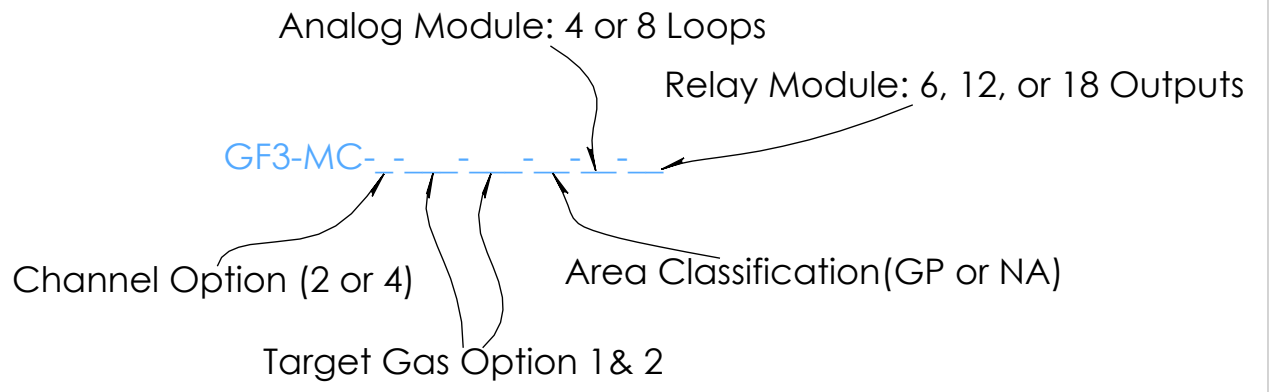
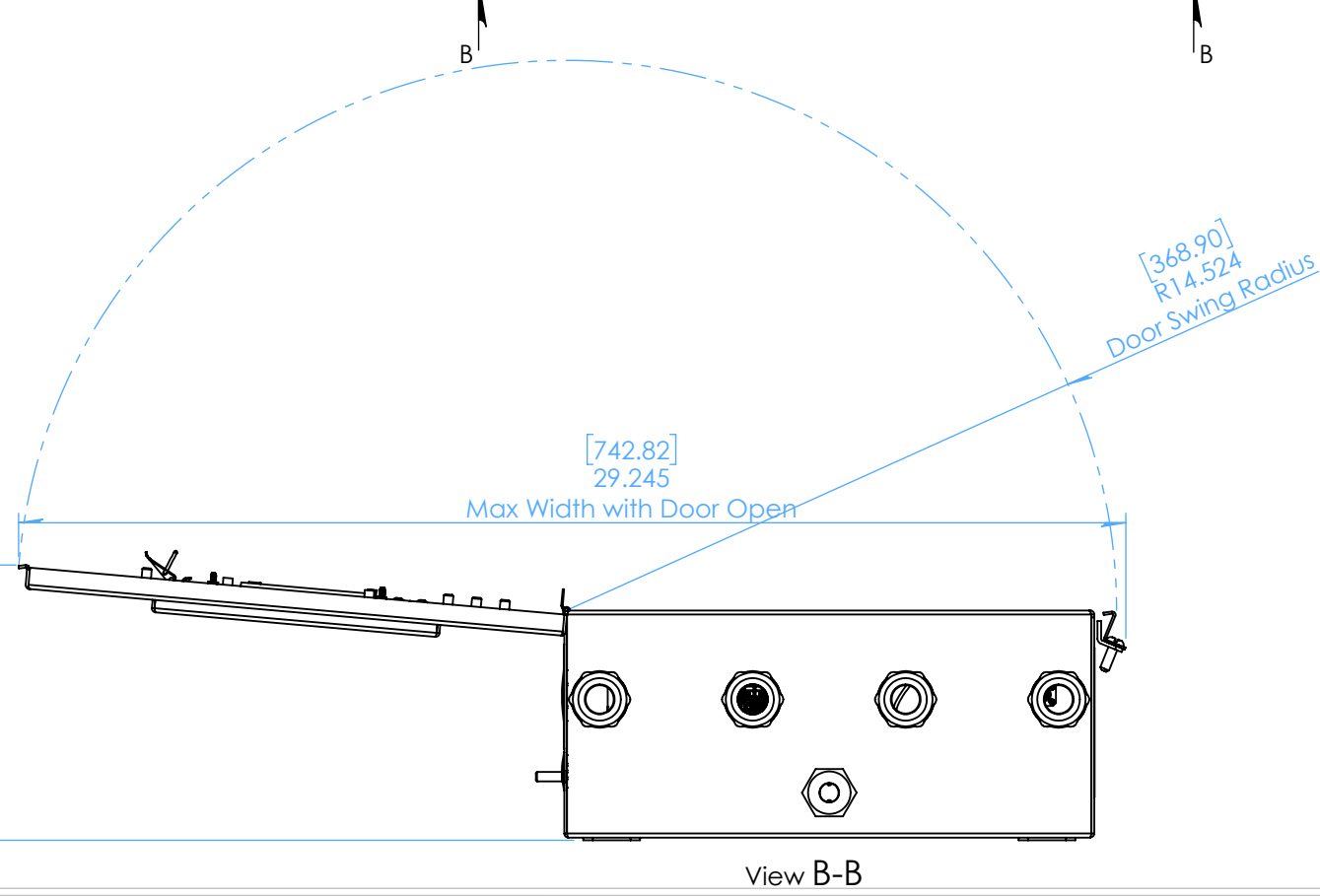
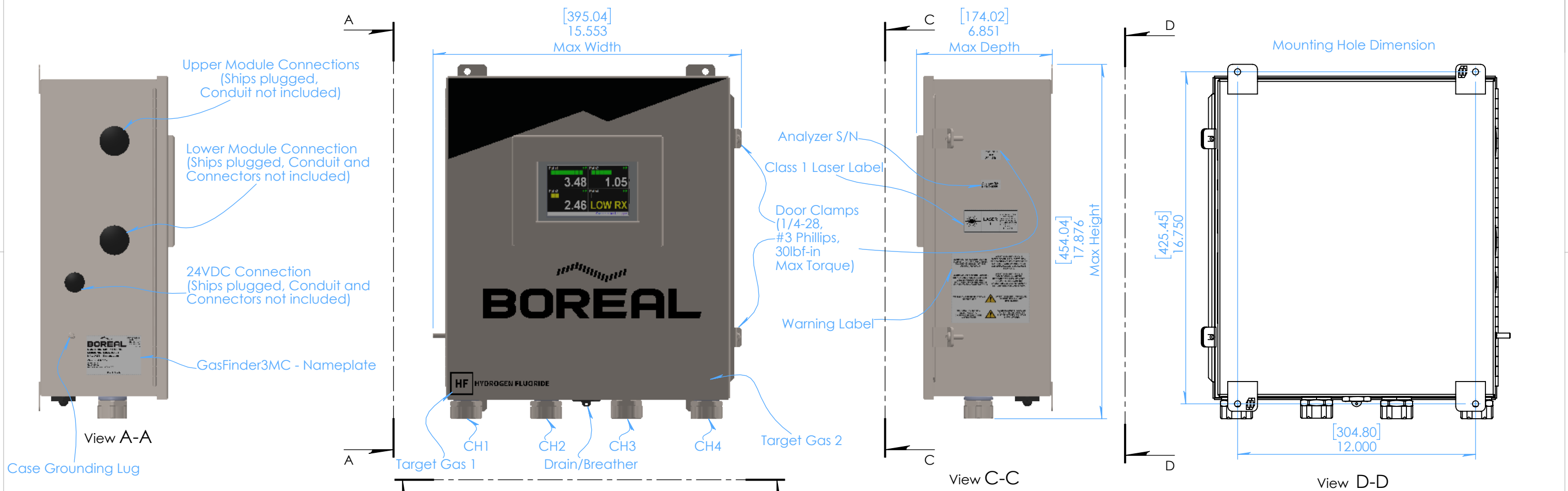
Part of In-Line Probe Assembly  
BL-\_-\_-ILX



<b>UNLESS OTHERWISE SPECIFIED</b>		<b>NAME</b>	<b>DATE</b>	 12846-146 Street Edmonton, Alberta, Canada T5L 2H7 Ph: 780-488-5173 Fax: 780-488-0780 Web: www.boreal-laser.com	
DIMENSIONS: inches [ mm ]		DRAWN BY	DM		2020-04-14
LIN. TOLERANCES: ±0.005 in [ 0.1 mm ] ±0.01 in [ 0.254 mm ]		EDITED BY			
ANG. TOLERANCES: 0.5 Degrees		CHECKED BY			
MATERIAL		ENG APPR.			
FINISH		MFG APPR.			
DO NOT SCALE DRAWING		COMMENTS: This is an uncontrolled document. The dimensions in these drawings are suggested and may change without notice. Please refer to technical documentation for installation dimensions.		TITLE: <b>GasFinder3-MC Overview</b> PART # N/A DWG. # <b>GF3MC_ILX</b> REV: - DATE: SHEET 1 OF 5	

**PROPRIETARY AND CONFIDENTIAL**  
 THE INFORMATION CONTAINED IN THIS DRAWING IS THE SOLE PROPERTY OF BOREAL LASER INC. ANY REPRODUCTION IN PART OR AS A WHOLE WITHOUT THE WRITTEN PERMISSION OF BOREAL LASER INC IS PROHIBITED.

UTILIZATION			
QUANTITY	DESCRIPTION	DRAWING #	AREA



**PROPRIETARY AND CONFIDENTIAL**  
 THE INFORMATION CONTAINED IN THIS DRAWING IS THE SOLE PROPERTY OF BOREAL LASER INC. ANY REPRODUCTION IN PART OR AS A WHOLE WITHOUT THE WRITTEN PERMISSION OF BOREAL LASER INC IS PROHIBITED.

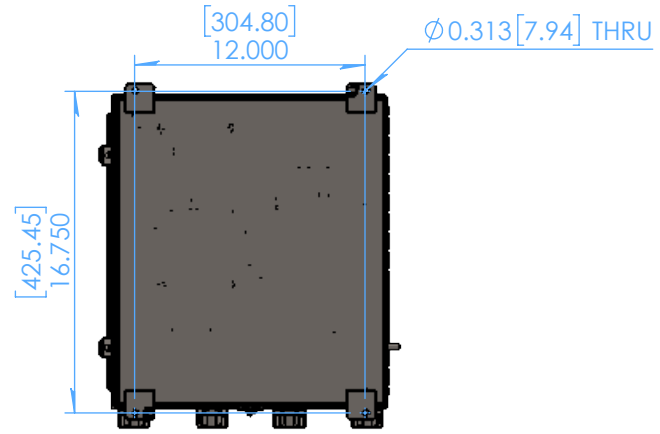
QUANTITY		DESCRIPTION		DRAWING #	AREA

UNLESS OTHERWISE SPECIFIED		NAME	DATE
DIMENSIONS: inches [ mm ]		DRAWN BY	DM 2020-04-14
LIN. TOLERANCES: ±0.005 in [ 0.1 mm ] ±0.01 in [ 0.254 mm ]		EDITED BY	
ANG. TOLERANCES: 0.5 Degrees		CHECKED BY	
MATERIAL		ENG APPR.	
FINISH		MFG APPR.	
DO NOT SCALE DRAWING		COMMENTS: This is an uncontrolled document. The dimensions in these drawings are suggested and may change without notice. Please refer to technical documentation for installation dimensions.	

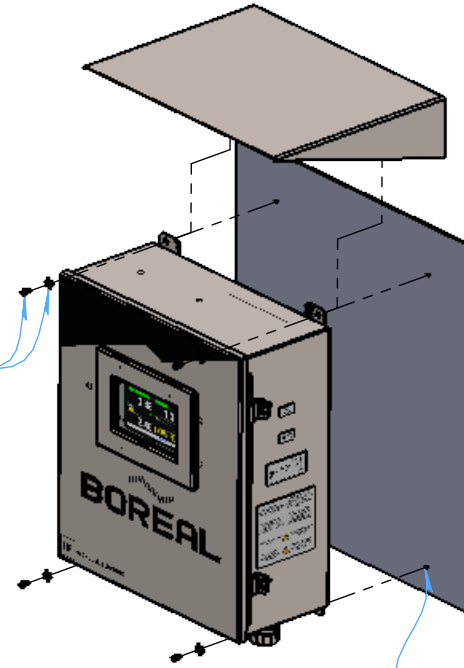
TITLE:		<b>GF3MC General Dimension</b>
PART #		N/A
DWG. #		GF3MC_ILX
REV: -		DATE:

**BOREAL**  
 12846-146 Street  
 Edmonton, Alberta, Canada  
 T5L 2H7  
 Ph: 780-488-5173  
 Fax: 780-488-0780  
 Web: www.boreal-laser.com

SHEET 2 OF 5

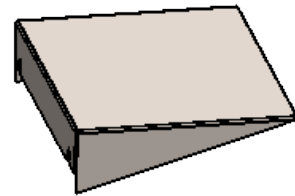
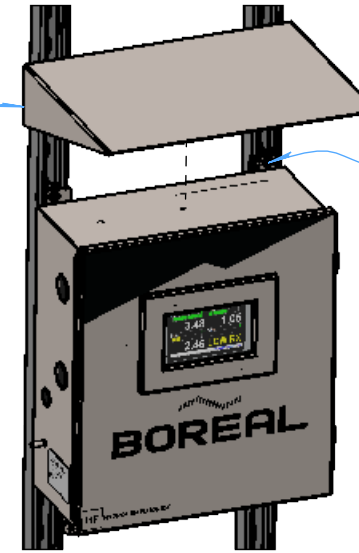


Choose appropriate hardware to securely install enclosure.  
[Suggested - #10 screw with #10 lock washer, and #10 Flat washer]



It may be easiest to mount GF3MC unit before installing sunshield

Tighten top nuts/screws after sunshiled installation



Prepare surface for load bearing capacity of at least 20kg [44 lbs]  
This may include having to install support into target structure or cutting threads into the structure.

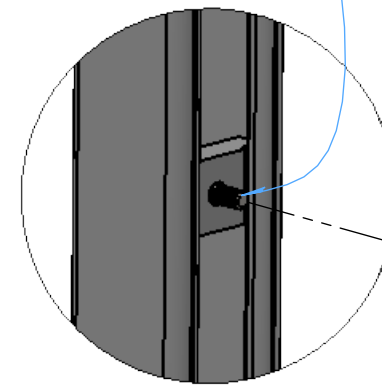
Unitstrut

Optional Sunshield

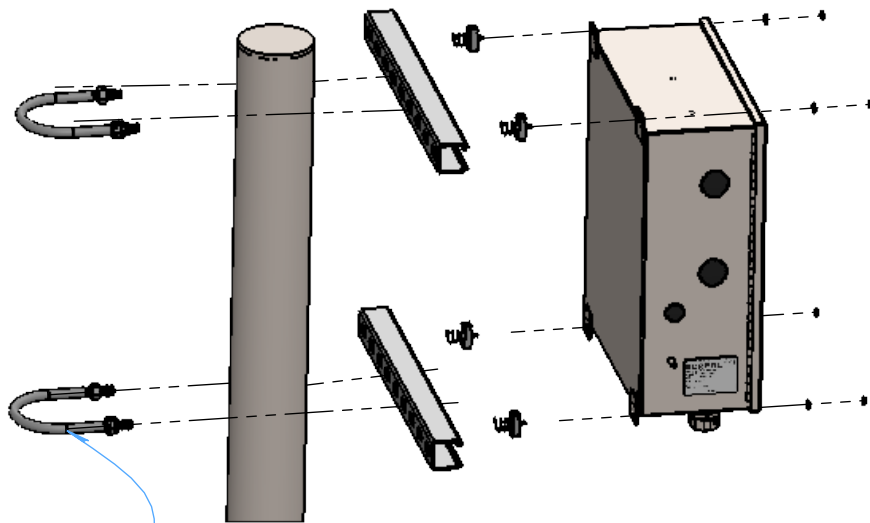
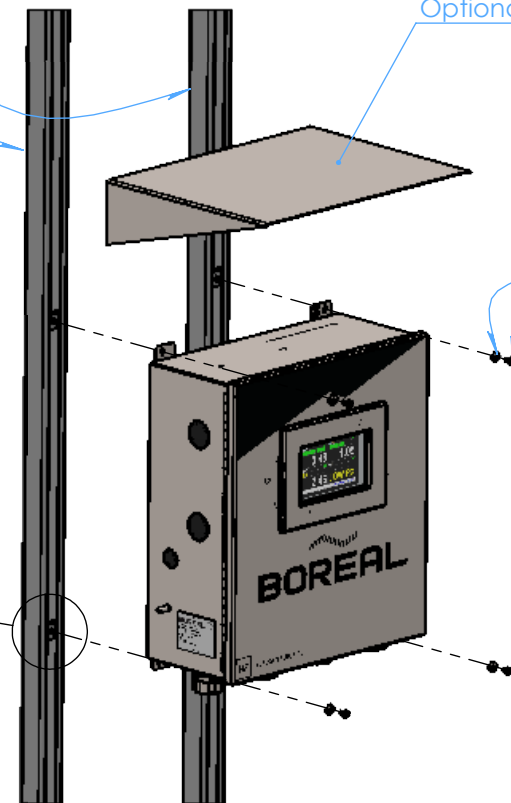
#10 Flat Washer

10-24 Nylok Nut

10-24 Unistrut Stud



DETAIL A  
SCALE 1 : 2

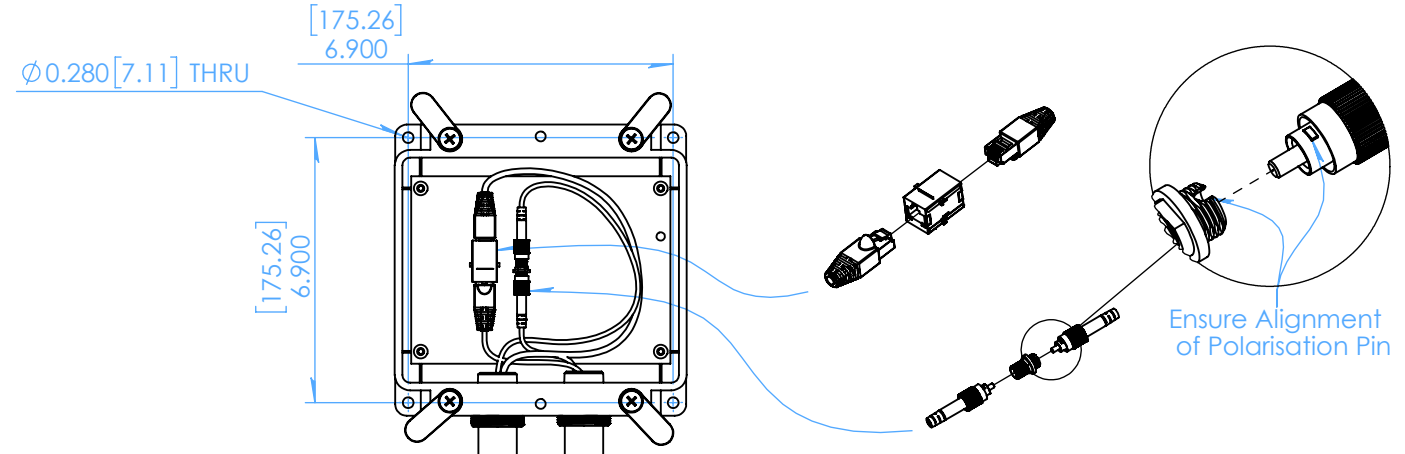
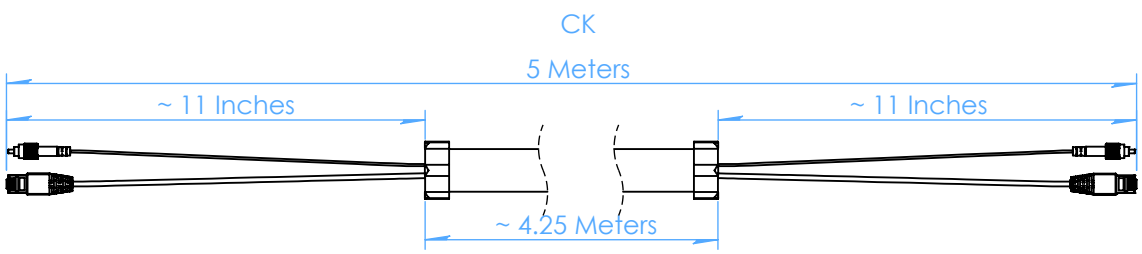


U-Bolt Suitable for Pole Size  
(4" Pole in example)

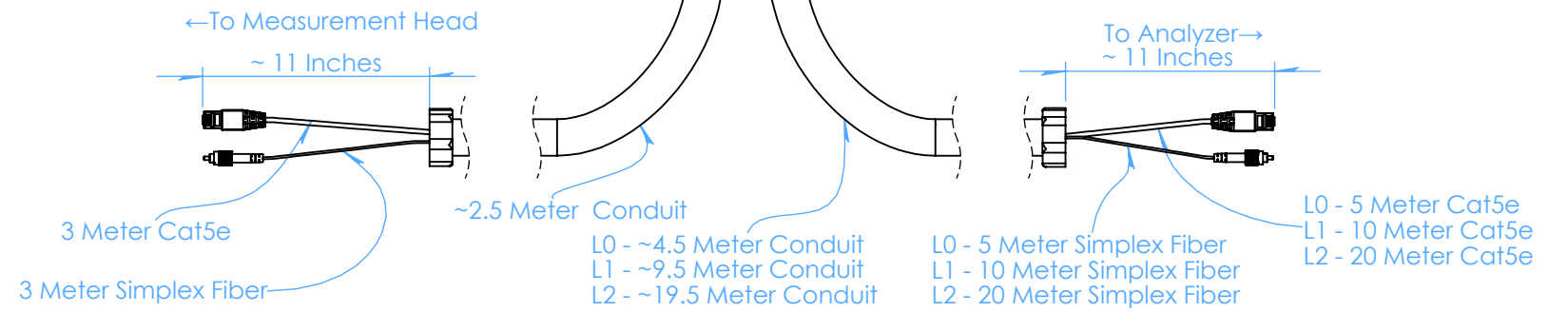
UNLESS OTHERWISE SPECIFIED		NAME	DATE	 <b>BOREAL</b> 12846-146 Street Edmonton, Alberta, Canada T5L 2H7 Ph: 780-488-5173 Fax: 780-488-0780 Web: www.boreal-laser.com
DIMENSIONS: inches [ mm ]		DRAWN BY	DM	
LIN. TOLERANCES: ±0.005 in [ 0.1 mm ] ±0.01 in [ 0.254 mm ]		EDITED BY		
ANG. TOLERANCES: 0.5 Degrees		CHECKED BY		
MATERIAL		ENG APPR.		
FINISH		MFG APPR.		
DO NOT SCALE DRAWING		COMMENTS: This is an uncontrolled document. The dimensions in these drawings are suggested and may change without notice. Please refer to technical documentation for installation dimensions.		TITLE: <b>GF3MC - Mounting Suggestions</b> PART # N/A DWG. # GF3MC_ILX REV: - DATE: SHEET 3 OF 5

PROPRIETARY AND CONFIDENTIAL		UTILIZATION		
THE INFORMATION CONTAINED IN THIS DRAWING IS THE SOLE PROPERTY OF BOREAL LASER INC. ANY REPRODUCTION IN PART OR AS A WHOLE WITHOUT THE WRITTEN PERMISSION OF BOREAL LASER INC IS PROHIBITED.				
QUANTITY	DESCRIPTION	DRAWING #	AREA	

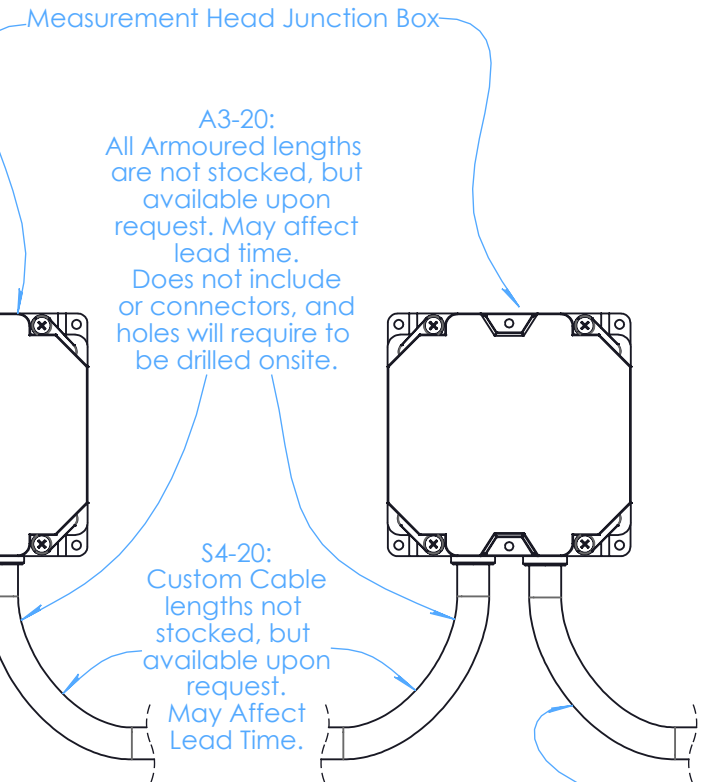
D



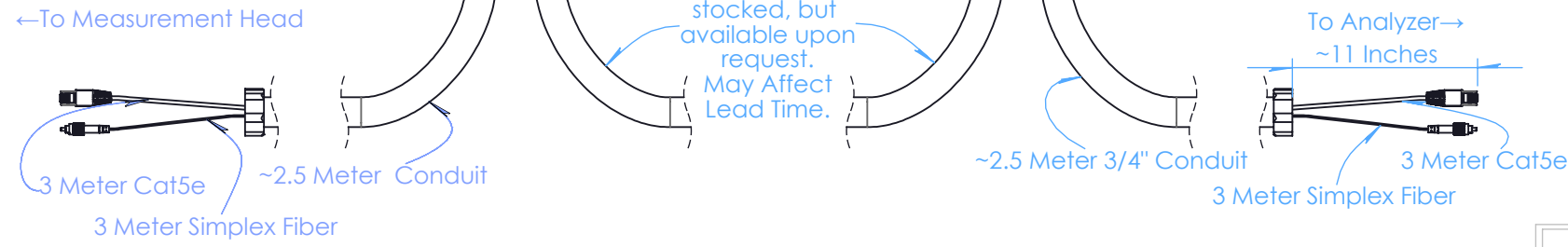
C



B



A

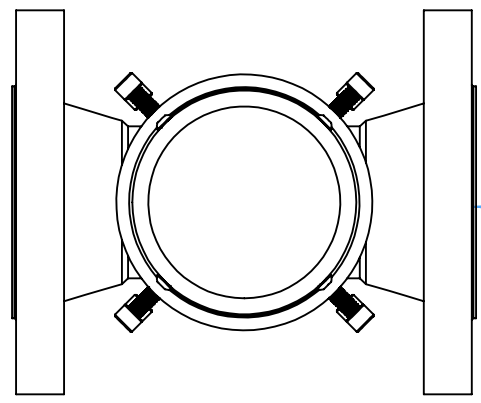


<b>UNLESS OTHERWISE SPECIFIED</b>		<b>NAME</b>	<b>DATE</b>
DIMENSIONS: inches [ mm ]		DRAWN BY	DM 2020-04-14
LIN. TOLERANCES: ±0.005 in [ 0.1 mm ] ±0.01 in [ 0.254 mm ]		EDITED BY	
ANG. TOLERANCES: 0.5 Degrees		CHECKED BY	
MATERIAL		ENG APPR.	
FINISH		MFG APPR.	
DO NOT SCALE DRAWING		COMMENTS: This is an uncontrolled document. The dimensions in these drawings are suggested and may change without notice. Please refer to technical documentation for installation dimensions.	

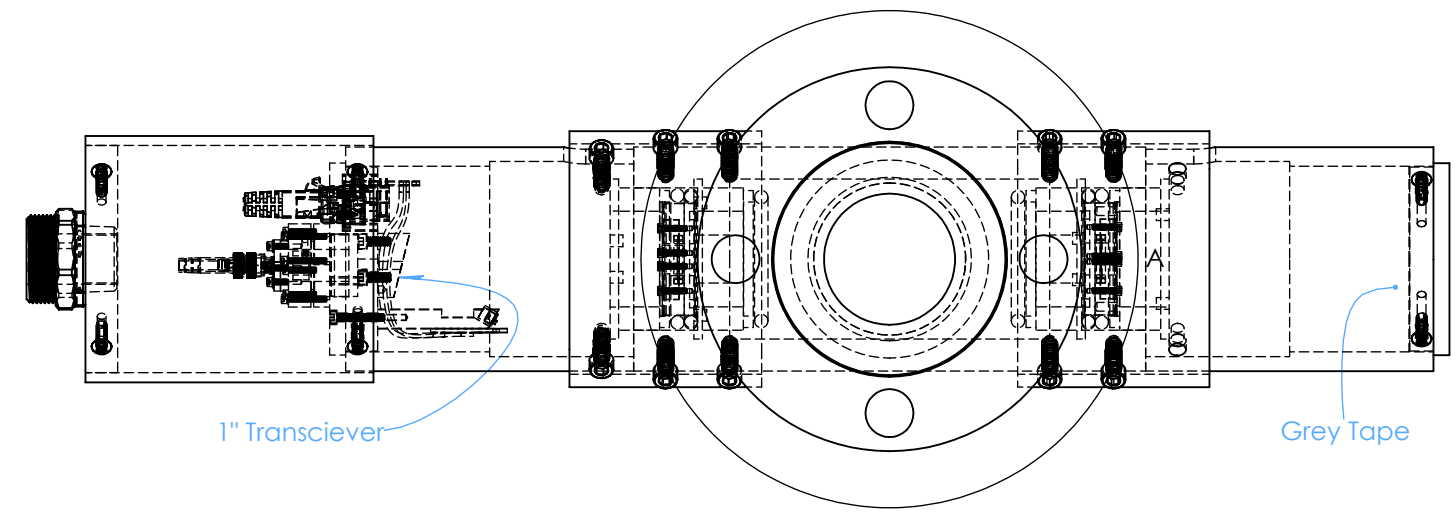
  

<b>BOREAL</b>	
12846-146 Street Edmonton, Alberta, Canada T5L 2H7	Ph: 780-488-5173 Fax: 780-488-0780 Web: www.boreal-laser.com
TITLE: <b>GF3MC - Cable Options</b>	
PART # N/A	
DWG. # GF3MC_ILX	REV: - DATE:
SHEET 4 OF 5	

<b>PROPRIETARY AND CONFIDENTIAL</b>		<b>UTILIZATION</b>	
THE INFORMATION CONTAINED IN THIS DRAWING IS THE SOLE PROPERTY OF BOREAL LASER INC. ANY REPRODUCTION IN PART OR AS A WHOLE WITHOUT THE WRITTEN PERMISSION OF BOREAL LASER INC IS PROHIBITED.			
QUANTITY	DESCRIPTION	DRAWING #	AREA

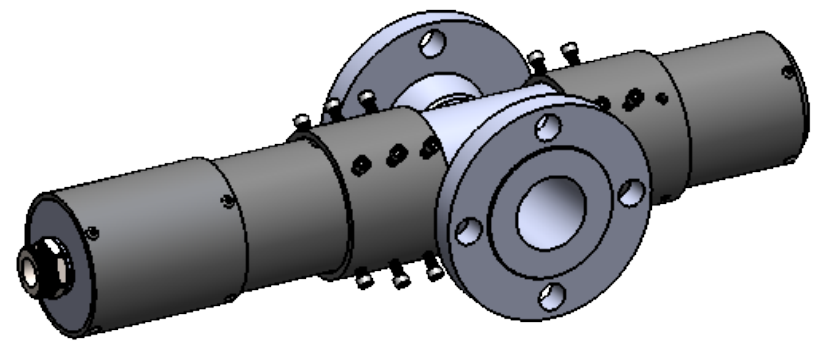
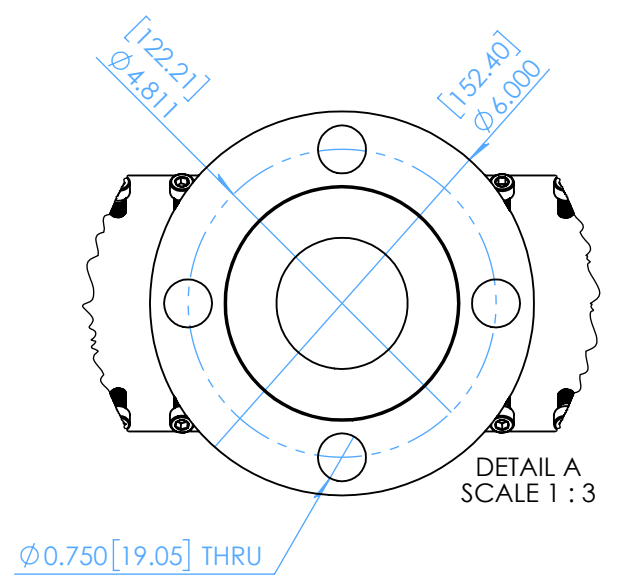


Process In/Out - 2" 150 RF Flange



1" Transceiver

Grey Tape



**PROPRIETARY AND CONFIDENTIAL**  
THE INFORMATION CONTAINED IN THIS DRAWING IS THE SOLE PROPERTY OF BOREAL LASER INC. ANY REPRODUCTION IN PART OR AS A WHOLE WITHOUT THE WRITTEN PERMISSION OF BOREAL LASER INC IS PROHIBITED.

UTILIZATION			
QUANTITY	DESCRIPTION	DRAWING #	AREA

UNLESS OTHERWISE SPECIFIED	NAME	DATE
DIMENSIONS: inches [ mm ]	DRAWN BY DM	2020-04-14
LIN. TOLERANCES: $\pm$ 0.005 in [ 0.1 mm ] $\pm$ 0.01 in [ 0.254 mm ]	EDITED BY	
ANG. TOLERANCES: 0.5 Degrees	CHECKED BY	
MATERIAL	ENG APPR.	
FINISH	MFG APPR.	
DO NOT SCALE DRAWING	COMMENTS: This is an uncontrolled document. The dimensions in these drawings are suggested and may change without notice. Please refer to technical documentation for installation dimensions.	

**BOREAL**  
12846-146 Street  
Edmonton, Alberta, Canada T5L 2H7  
Ph: 780-488-5173  
Fax: 780-488-0780  
Web: www.boreal-laser.com

TITLE: **Stack/Duct Probe**

PART # N/A

DWG. # GF3MC\_ILX

REV: -  
DATE: -

SHEET 5 OF 5