



## GasFinder3-MC Highlights



GasFinder3-MC shown with Open Path (OPX) Heads

### Up to Four (4) Measurement Heads

Can be connected to one (1) GasFinder3-MC

### Dual Gas Capability: Toxic + Combustible

Two (2) Lasers for two independent gas analyses

### Hazardous Area Certified

(A)Ex nA IIC T5 Tamb <65°C (149°F) (Equiv. C1, Z2)

### Up to 300 m (1,000 ft) Cable Lengths

For connecting to the Measurement Heads

## Ease of Integration + Service

### Power (24 VDC) + Communication Outputs

HART 7 via Analog, Relay Outputs, MODBUS, Etc.

### HMI Touchscreen: Indication + Interface

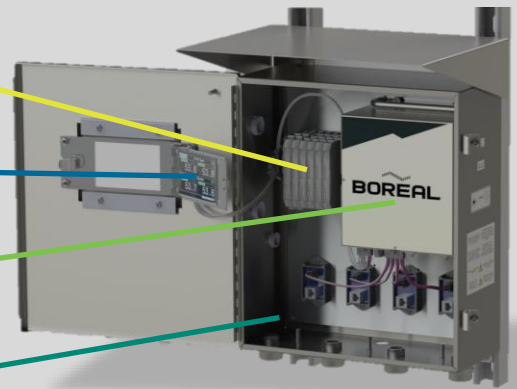
No app or laptop required for commissioning

### Laser Analyzer Module

Designed for easy service, upgrade, or replacement

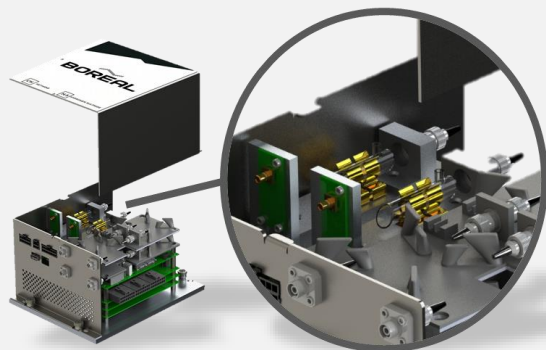
### Rugged and Robust Design

Solid state electronics with no moving parts



Inside the GasFinder3-MC Enclosure

## The Technician's Choice



Gas Reference Cells within the Laser Analyzer Module

### Validation with Actual Target Gas

Internal Reference Cell interrogated once a minute

### No Field Intervention or Calibration

Adjustments done autonomously & automatically

### Practically No Measurement Drift

Operational Temp. Range: -55 to 65°C (-67 to 149°F)

### Fail Safe Operation + SIL2 Suitable

Diagnostics with no undisclosed failure modes

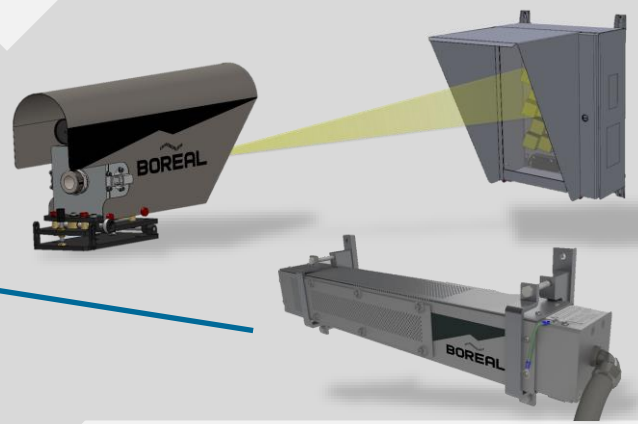
# Leak Detection / Ambient Monitoring

## Open Path (OPX) Head + Retro-Reflector

For Path Lengths from 5 – 500 m (15 – 1,500 ft) for Process Buildings, Process Areas and Perimeters.

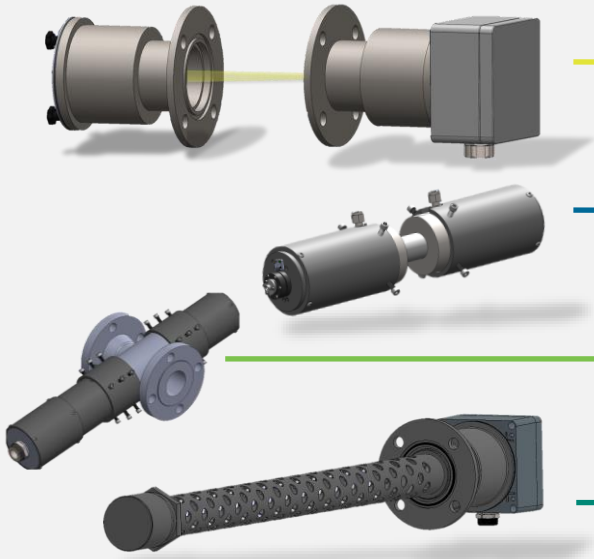
## Remote Point (RPX) Probe

For fast localized detection of leaks around pumps, compressors, valves, (un)loading areas, etc.



Note: Different Measurement Head/Probe types may be combined

# Laser Based - In-Situ Monitoring



## Stack/Duct (SDX) Probe + Retro-Flange

3" 150# RF flange bolt-up for fast and accurate process monitoring and control measurements.

## Extractive Measurement (EMX) Cell

Process Connections are 1/4" FNPT . 1" NPT Pipe length is adjustable to optimize detection range.

## In-Line (ILX) Probe

Make direct and non-contact measurements of free gaseous molecules within process piping.

## Insertable (IPX) Probe

Monitor gas composition or breakthroughs within vapor space of storage tanks and vessels.

Accuracy: +/- 2% of Reading. Gas Temperature Range: -55 to 150°C (-67 to 300°F). Gas Pressure Range: 50 to 200 KPaA (7.25 to 29 PSiA).

# Select any Two (2) Target Gases

Note 1: Other temperature and detection ranges may be available  
Note 2: Detection ranges shown below are at ambient temperatures

HF

## Hydrogen Fluoride

HFL: 0.4 - 250 ppm-m  
HFH: 1 - 1,000 ppm-m

H<sub>2</sub>S

## Hydrogen Sulfide

H2SL: 100 - 100,000 ppm-m  
H2SH: 1,000 - 500,000 ppm-m

CH<sub>4</sub>

## Methane

CH4L: 2 - 8,500 ppm-m  
CH4H: 100 ppm-m - 10 LEL-m

CO<sub>2</sub>

## Carbon Dioxide

CO2L: 120 - 80,000 ppm-m  
CO2H: 1,000 - 500,000 ppm-m

CO

## Carbon Monoxide

COL: 8 - 8,500 ppm-m  
COH: 250 - 500,000 ppm-m

NH<sub>3</sub>

## Ammonia

NH3L/H: 8 - 6,500/15,000 ppm-m  
NH3UH: 0.4 - 100%-m

HCN

## Hydrogen Cyanide

HCN: 8 - 2,500 ppm-m

HCl

## Hydrogen Chloride

HCl: 2 - 2,500 ppm-m

C<sub>2</sub>H<sub>4</sub>

## Ethylene

C2H4: 20 - 15,000 ppm-m

C<sub>2</sub>H<sub>2</sub>

## Acetylene

C2H2: 4 - 2,500 ppm-m

O<sub>2</sub>

## Oxygen

O2: 1,000 - 1,000,000 ppm-m

H<sub>2</sub>O

## Water Vapor

Various Ranges Available

# Ask your Local Distributor for

LIVE VIDEO DEMO

GENERAL ARRANGEMENT

DATA SHEETS

DETAILED INSTRUCTIONS

Rev. Jan. 10<sup>th</sup> 202