

GasFinder3-AB Highlights



Measurement Cell Mounted on a
Bell 206B Jet Ranger

Detect Natural Gas Leaks from a Helicopter

Using a laser-based gas detection technique

Fast Speed of Response + Recovery

New and independent result every single second

Superior Tolerance to Vibration

Vibration helps to integrate and quiet the analysis

Long Life Span and Robust Operation

Excellent Return-on-Investment

About Tunable Diode Laser (TDL)

Laser Light is the Sensing Element

Class 1 Eye Safe: Near Infrared (NIR) Laser Light

This Counts the Target Gas Molecules

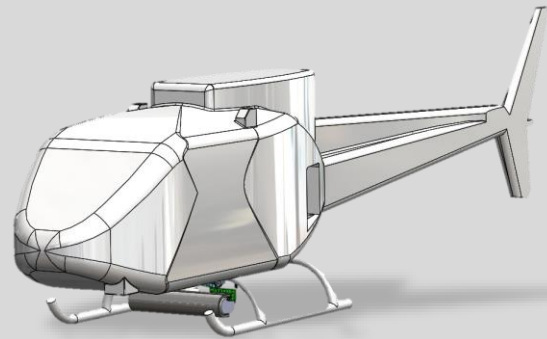
As they pass through the Active Measurement Path

Quantifiable Volumetric Result

Confirmation of both gas type and concentration

No Interference + No False Alarms

This only detects the specific target gas of interest



Measurement Cell mounted on a
A-Star AS350/AS355

The Operator's Choice



Measurement Cell mounted on a Robinson R44

Validation with Actual Target Gas

Internal Reference Cell interrogated once a minute

No Field Intervention or Calibration

Adjustments done autonomously & automatically

Practically No Measurement Drift

Operational Temp. Range: -55 to 65°C (-67 to 149°F)

Fail Safe Design and Operation

Diagnostics with no undisclosed failure modes

GasFinder3-AB Gas Analyzer

Use the Helicopter to Power the GasFinder
GasFinder3-AB is powered by 12-24 VDC (20 Watts)

HMI Touchscreen: Indication + Interface
No app or laptop required for commissioning

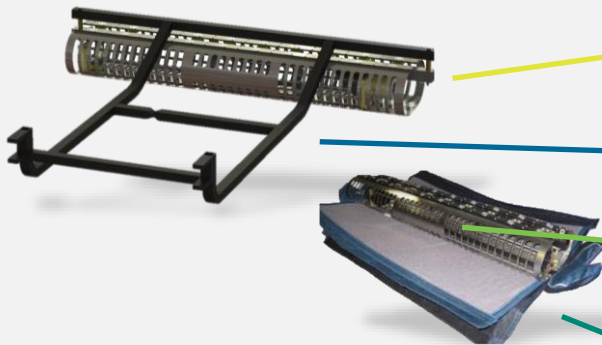
Built-in Data Storage
Easily access up to 20 years' worth of stored data

Rugged and Robust Design
Solid state electronics with no moving parts



**GasFinder3-AB (Aerial Based)
Laser Based - Gas Analyzer**

Airborne (AB) Measurement Cell



**Airborne (AB) Measurement Cell shown with R44
Mount and Protective Filter Cover**

Aerial Based (AB) Measurement Cell
Formulates the Active Measurement Path

Various Mounting/ STC Options Available
For Bell 206B, Robinson R44, and A-Star AS350/355

Low End Detection Thresholds
Detectable Range of Methane: 0.5 to 3,000 ppm

Protective Filter Cover
Keeps the optical components clean & functional

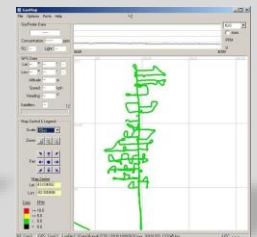
Other Components in the Assembly

Rugged Tablet to Run GasMap Software
Used as both local indication and interface

Windows based GasMap Software
Used to meld the collected gas and locational data

GPS Dongle
Used to gather locational data such as Lat. & Long.

Power Conditioner
Convert and clean power generated by the aircraft



Ask your Local Distributor for

LIVE VIDEO DEMO

GENERAL ARRANGEMENT

DATA SHEETS

DETAILED INSTRUCTIONS

Rev. Jan. 7th, 2022